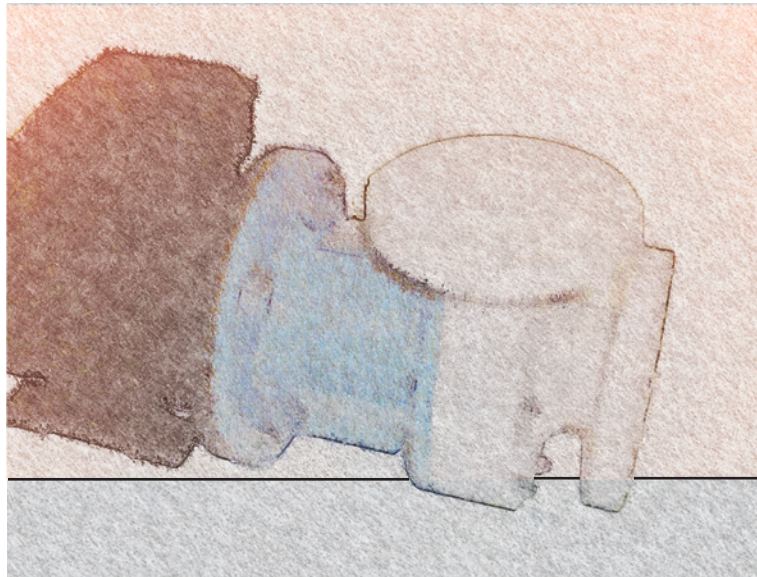


# PCM Pumps

Magnetic Drive Pumps Machined from Techno polymers

---



The PCM range of centrifugal magnetic drive pumps is manufactured from solid polypropylene or PVDF to offer robust, chemically resistant pumps.

**Reliable and Long Lasting**

With no shaft seals, liquid cannot seep into the motor from the pump.

**Chemically Resistant**

Due to the range of construction materials a wide range of aggressive liquids can be pumped.

**High Heads**

The design of the PCM allows them to pump relatively high heads.

**Self Priming**

Self priming versions of the PCM 4x13, PCM 5x16 and PCM 6.7x17 are available.

**Vertical Mounting**

PCM pump models can be mounted vertically with the pump at the lowest point.

**Robust**

As PCM pumps are machined from solid plastic which gives them thick wall sections making them extremely robust.

**Caster Equivalent**

PCM pumps will directly replace Caster MCH pumps - see rear for details.

**Short Lead times**

Most PCM pumps are available within a 2-3 week lead time.

**Design Flexibility**

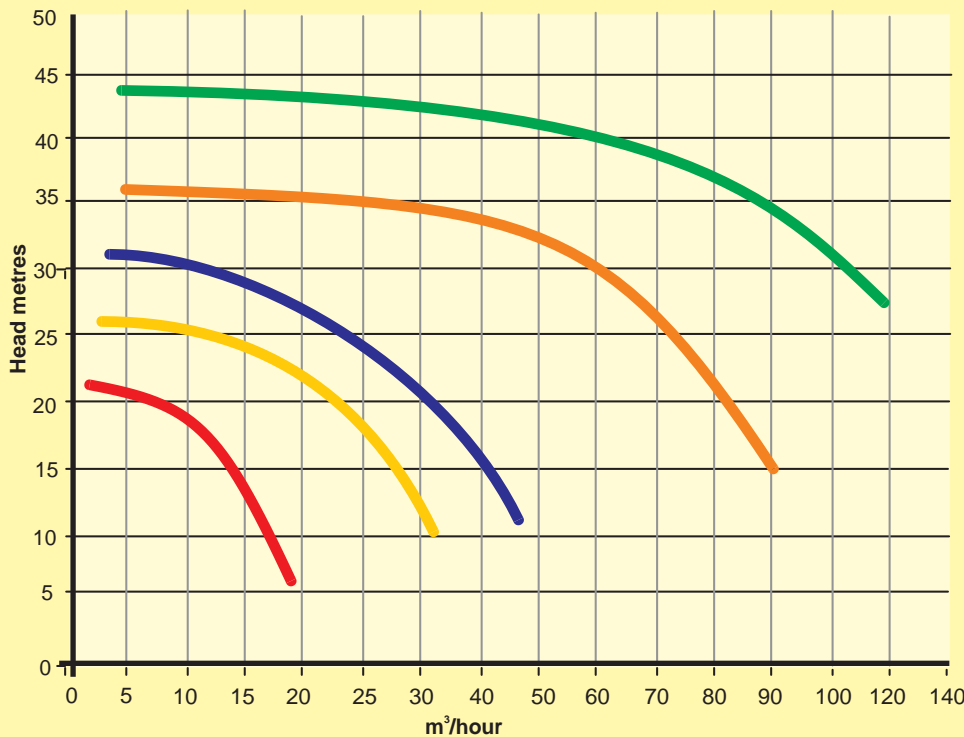
PCM pumps are available with a range of different drive magnets and motors to cope with high SG and viscous liquids.



All versions of the pumps can be ATEX approved to Equipment Category 2, (Gas Zone 1 and Dust Zone 21) and temperature rating T4.

**PERFORMANCE**

50 Hz, SG 1.0 2900 rpm



- PCM 8x18
- PCM 6.7x17
- PCM 5x16
- PCM 4x13
- PCM 3x12



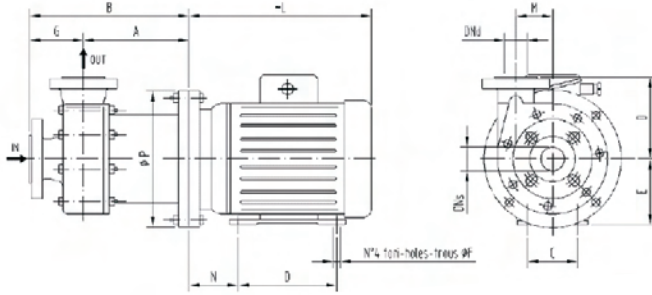
All PW plastic impellers can be trimmed at no extra cost to cater for higher SGs, viscous liquids and 60Hz duties.

These figures are indicative, please consult March May Ltd for exact performances.

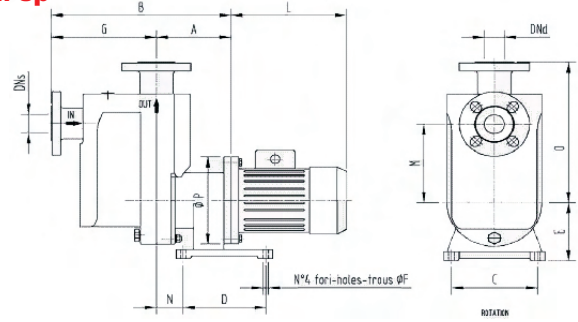
# DIMENSIONS

Dimensions in mm not to scale specifications are subject to change

## PCM



## PCM-sp

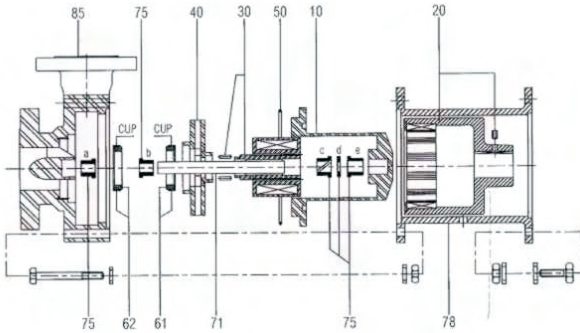


Model	Inlet mm	Outlet mm	A mm	B mm	C mm	D mm	E mm	F mm	G mm	L mm	M mm	N mm	O mm	P mm	IEC frame	Kw 2 pole
<b>PCM 3 x 12</b>	40	32	151	236	125	100	80	9	85	230	59	50	141	200	80	1.1
<b>PCM 4 x 13</b>	50	40	184	268	155	193	136	12	84	270	63	65	149	200	90	2.2
<b>PCM 5 x 16</b>	65	50	218	321	220	250	175	14	103	340	73	59	171	250	100/112	4.0
<b>PCM 6,5 x 17</b>	80	65	247	368	250	290	200	16	121	402	82	73	198	300	132	9.0
<b>PCM 8 x 18</b>	100	80	290	419	250	290	200	16	129	538	102	76	227	350	160	15

Model	Inlet mm	Outlet mm	A mm	B mm	C mm	D mm	E mm	F mm	G mm	L mm	M mm	N mm	O mm	P mm	Kw 2 pole	
<b>PCM-sp 4 x 13</b>	40	40	184	398	155	193	136	12	214	270	170	65	305	200	90	2,2
<b>PCM-sp 5 x 16</b>	50	50	178	447	220	250	175	14	269	340	228	20	372	250	100/112	4.0
<b>PCM-sp 6,5 x 17</b>	65	65	203	529	250	290	200	16	326	402	233	29	374	300	132	9.0

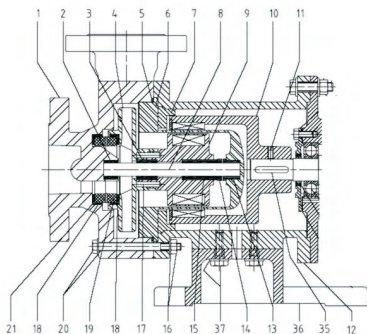
# TYPICAL TECHNICAL DETAILS

## Standard 3x12,



Ref	Description	Standard	Optional
10	Rear Casing	Polypropylene	PVDF
20	Drive magnet	Neodymium	
30	Impeller Magnet	Polypropylene	PVDF
40	Impeller	Polypropylene	
50	O Ring	EPDM	Viton
62F	Imp Front Bearing	PTFEC	
62R	Casing Thrust Bearing	Ceramic	PVDF
71	Shaft	Ceramic	SiC on 8x18
75	Bearings	PTFEC	
78	Bracket	Cast Iron	
85	Front Casing	Polypropylene	

## Atex 4x13 and above



Ref	Description	Standard	Optional
1	Pump head	Polypropylene	PVDF
2, 3, 13, 14	Bearings	PTFE	SiC
4	Impeller	Polypropylene	PVDF
5	O Ring	EPDM/Viton/FEP	
6	Rear Casing	Polypropylene	PVDF
7	Rub Ring	Bronze	
8	Shaft	Ceramic	SiC on 8x18
9	Int Mag	Polypropylene	PVDF
10	Drive Magnet	Neodymuin	
18	Holder	EPDM	Viton/PTFE
21	Thrust Bearing	PTFE	SiC on 8x18

## Caster Equivalent

Virtually all March May PCM pumps are inter changeable with the original MCH range.

Caster		March May	
MCH 40/32	PP	PCM 3 x 12	PP
MCH 40/32	PV	PCM 3 x 12	PV
MCH 50/40	PP	PCM 4 x 13	PP
MCH 50/40	PV	PCM 4 X 13	PV
MCH 65/50	PP	PCM 5 x 16	PP
MCH 65/50	PV	PCM 5 x 16	PV
MCH 80/65	PP	PCM 6,5 x 17	PP
MCH 80/65	PV	PCM 6,5 x 17	PV
MCH 100/80	PP	PCM 8 x 18	PP
MCH 100/80	PV	PCM 8 x 18	PV

## OTHER MAGNETIC DRIVE PUMPS

March May offers probably the largest range of magnetic drive pumps in the UK.



Large centrifugal  
For aggressive chemicals.



single stage centrifugal  
stainless steel ATEX rated  
For milder chemicals



Single stage centrifugal  
For milder chemicals.



Multi stage centrifugal  
For mild or aggressive  
liquids.



Brass centrifugal  
For high temperature  
liquids.



Single stage turbine  
For mild or aggressive  
liquids.



Submersible centrifugal  
For milder liquids.

