

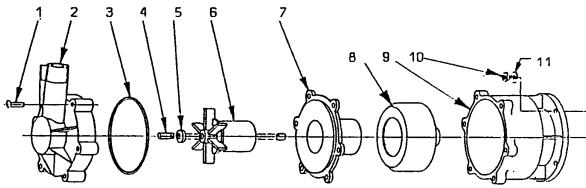


TE-MT3 RANGE

01/01/2011

DIMENSIONAL SCHEMATIC, PERFORMANCE AND PARTS

PARTS LIST



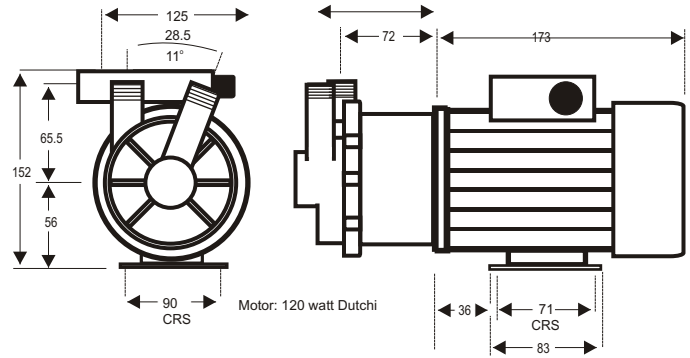
ITEM DESCRIPTION	NOS	CODE	PRICE
TE-MDX-MT3			
1 HOUSING SCREW ST/STEEL	6	0802-010-10	£ 4.80
2 PUMP HOUSING POLYPROPYLENE	1	0135-128-10	£ 18.43
3 'O' RING VITON	1	0135-046-UK	£ 5.72
4 CERAMIC SPINDLE	1	0130-024-UK	£ 13.17
5 THRUST WASHER CERAMIC	1	0130-028-UK	£ 5.22
6 IMPELLER ASSY POLYPROPYLENE	1	0135-129-02	£ 65.18
7 IMPELLER HOUSING POLYPRO	1	0135-127-10	£ 14.02
8 DRIVE MAGNET ASSY (9mm)	1	0750-254-00	£ 46.94
9 MOTOR BRACKET	1	0135-135-10	£ 18.43
10 BRACKET FIXING SCREWS	4	0135-100-UK	£ 1.24
11 BRACKET FIXING WASHERS	4	0135-200-UK	£ 1.48
WET END ASSY ITEMS 1-7		0035-111-01	£ 126.52
PUMP HEAD ASSY ITEMS 1-11		P035-111-012	£ 194.57

TE-MDR-MT3			
1 HOUSING SCREW ST/STEEL	6	0802-010-10	£ 4.80
2 PUMP HOUSING RYTON	1	0135-088-10	£ 17.68
3 'O' RING VITON	1	0135-046-UK	£ 5.72
4 SPINDLE CERAMIC	1	0130-024-UK	£ 13.17
5 THRUST WASHER CERAMIC	1	0130-028-UK	£ 5.22
6 IMPELLER ASSY RYTON	1	0135-113-02	£ 58.67
7 IMPELLER HOUSING RYTON	1	0135-087-10	£ 13.04
8 DRIVE MAGNET ASSY (9mm)	1	0750-254-00	£ 46.94
9 MOTOR BRACKET	1	0135-135-10	£ 18.43
10 BRACKET FIXING SCREWS	4	0135-100-UK	£ 1.24
11 BRACKET FIXING WASHERS	4	0135-200-UK	£ 1.48
WET END ASSY ITEMS 1-7		0035-222-01	£ 118.29
PUMP HEAD ASSY ITEMS 1-11		P035-222-012	£ 186.34

TE-MDK-MT3			
1 HOUSING SCREWS ST/STEEL	6	0802-010-10	£ 4.80
2 PUMP HOUSING KYNAR	1	0135-152-10	£ 47.61
3 'O' RING VITON	1	0135-046-UK	£ 5.72
4 SPINDLE CERAMIC	1	0130-024-UK	£ 13.17
5 THRUST WASHER CERAMIC	1	0130-028-UK	£ 5.22
6 IMPELLER ASSY KYNAR	1	0135-154-02	£ 113.68
7 IMPELLER HOUSING	1	0135-153-10	£ 31.29
8 DRIVE MAGNET ASSY (9mm)	1	0750-254-00	£ 46.94
9 MOTOR BRACKET	1	0135-135-10	£ 18.43
10 BRACKET FIXING SCREWS	4	0135-100-UK	£ 1.24
11 BRACKET FIXING WASHERS	4	0135-200-UK	£ 1.48
WET END ASSY ITEMS 1-7		0035-333-01	£ 221.48
PUMP HEAD ASSY ITEMS 1-11		P035-333-012	£ 289.53

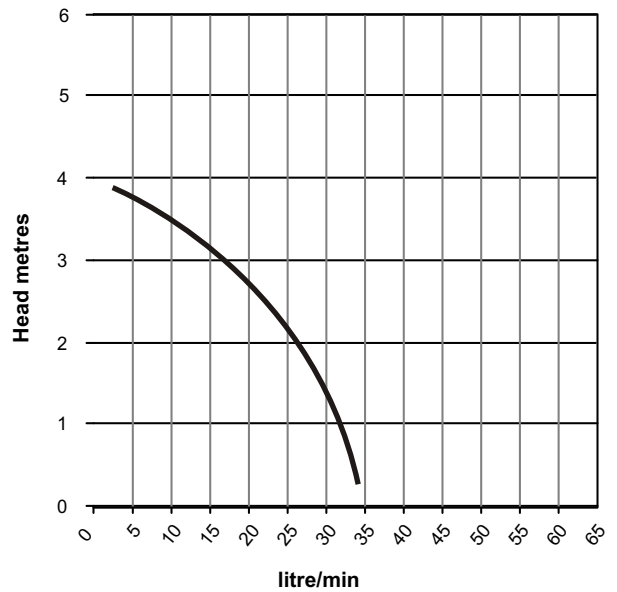
DIMENSIONS mm

not to scale specifications are subject to change



Details may change depending upon the motor specified

PERFORMANCE



Tests obtained with water 1.0 SG

— 50 hz 2900 rpm