

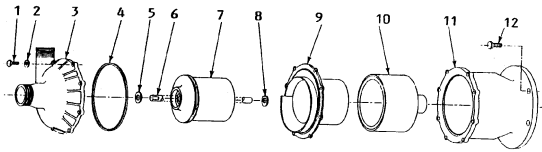


# TE-8 RANGE

01/01/2011

## DIMENSIONAL SCHEMATIC, PERFORMANCE AND PARTS

### PARTS LIST



ITEM DESCRIPTION	NOS	CODE	PRICE
<b>TE-8P-MD</b>			
1 PUMP HOUSING SCREWS ST/ST	8	0157-036-UK	£ 10.64
2 PUMP HOUSING WASHERS ST/ST	8	0157-023-UK	£ 5.36
3 PUMP HOUSING POLYPROPYLENE	1	0157-007-10	£ 73.60
4 VITON 'O' RING	1	0157-011-UK	£ 21.00
5 FRONT THRUST WASHER CERAMIC	1	0157-001-10	£ 20.84
6 CERAMIC SPINDLE	1	0157-002-10	£ 147.20
7 IMPELLER ASSY C/W CARBON BUSH	1	0157-004-05	£ 656.28
8 REAR THRUST WASHER CERAMIC	1	0157-009-10	£ 23.32
9 IMPELLER HOUSING KYNAR	1	0157-053-10	£ 288.28
10 DRIVE MAGNET ASSY C/W SLEEVE & KEY	1	0157-005-01	£ 589.32
11 MOTOR BRACKET	1	0157-008-UK	£ 294.39
12 BRACKET FIXING SCREWS	4	0180-100-UK	£ 4.72
13 BRACKET FIXING WASHERS	4	0180-200-UK	£ 1.44
13A BRACKET FIXING NUTS	4	0180-101-UK	£ 2.24
WET END ASSY ITEMS 1-9		0080-131-21	£ 1,245.52
PUMP HEAD ASSY ITEMS 1-13A		P080-131-210	£ 2,137.63

### TE-8K-MD

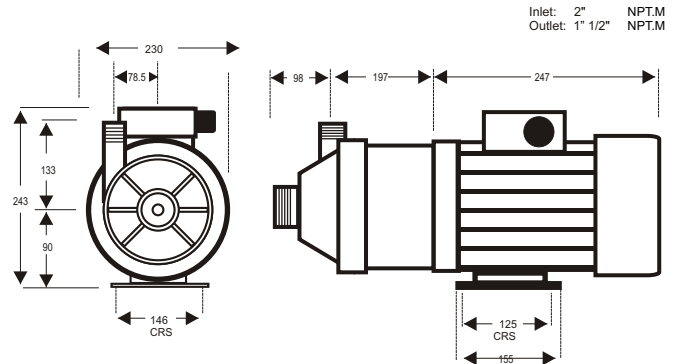
1 PUMP HOUSING SCREWS ST/ST	8	0157-036-UK	£ 10.64
2 PUMP HOUSING WASHERS ST/ST	8	0157-023-UK	£ 5.36
3 PUMP HOUSING KYNAR	1	0157-052-10	£ 316.65
4 VITON 'O' RING	1	0157-011-UK	£ 21.00
5 FRONT THRUST WASHER CERAMIC	1	0157-001-10	£ 20.84
6 SPINDLE CERAMIC	1	0157-002-10	£ 147.20
7 IMPELLER MAG ASSY C/W CARBON BUSH	1	0157-050-05	£ 926.12
8 REAR THRUST WASHER CERAMIC	1	0157-009-10	£ 23.32
9 IMPELLER HOUSING KYNAR	1	0157-053-10	£ 288.28
10 DRIVE MAGNET ASSY C/W SLEEVE & KEY	1	0157-005-01	£ 589.32
11 MOTOR BRACKET	1	0157-008-10	£ 294.39
12 BRACKET FIXING SCREWS	4	0180-100-UK	£ 4.72
13 BRACKET FIXING WASHERS	4	0180-200-UK	£ 1.44
13A BRACKET FIXING NUTS	4	0180-101-UK	£ 2.24
WET END ASSY ITEMS 1-9		0080-333-21	£ 1,759.57
PUMP HEAD ASSY ITEMS 1-13A		P080-333-210	£ 2,651.52

### TE-8S-MD

1 PUMP HOUSING SCREWS ST/ST	8	0157-036-UK	£ 10.64
2 PUMP HOUSING WASHERS ST/ST	8	0157-023-UK	£ 5.36
3 PUMP HOUSING ST/STEEL	1	0157-030-00	£ 1,265.00
4 VITON 'O' RING	1	0157-011-UK	£ 21.00
5 FRONT THRUST WASHER CERAMIC	1	0157-001-00	£ 20.84
6 SPINDLE CERAMIC	1	0157-002-10	£ 147.20
7 IMPELLER ASSY C/W CARBON BUSH	1	0157-029-02	£ 1,598.50
8 REAR THRUST WASHER	1	0157-009-10	£ 23.32
9 IMPELLER HOUSING ST/STEEL	1	0157-028-00	£ 1,242.00
10 DRIVE MAGNET ASSY C/W SLEEVE & KEY	1	0157-005-01	£ 589.32
11 MOTOR BRACKET	1	0157-008-10	£ 294.39
12 BRACKET FIXING SCREWS	4	0180-100-UK	£ 4.72
13 BRACKET FIXING WASHERS	4	0180-200-UK	£ 1.44
13A BRACKET FIXING NUTS	4	0180-101-UK	£ 2.24
WET END ASSY ITEMS 1-9		0080-555-11	£ 4,333.86
PUMP HEAD ASSY ITEMS 1-13A		P080-555-210	£ 5,225.97

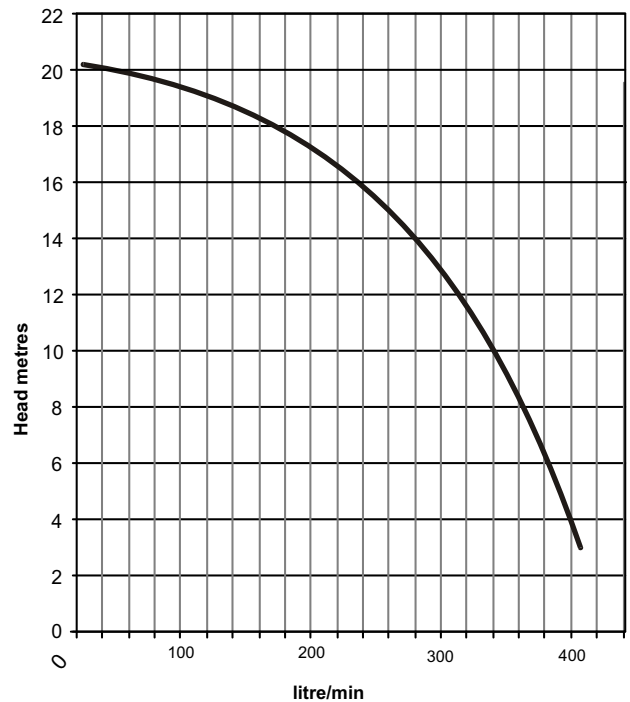
### DIMENSIONS mm

not to scale specifications are subject to change



Details may change depending upon the motor specified

### PERFORMANCE



Tests obtained with water 1.0 SG

— 50 hz 2900 rpm