



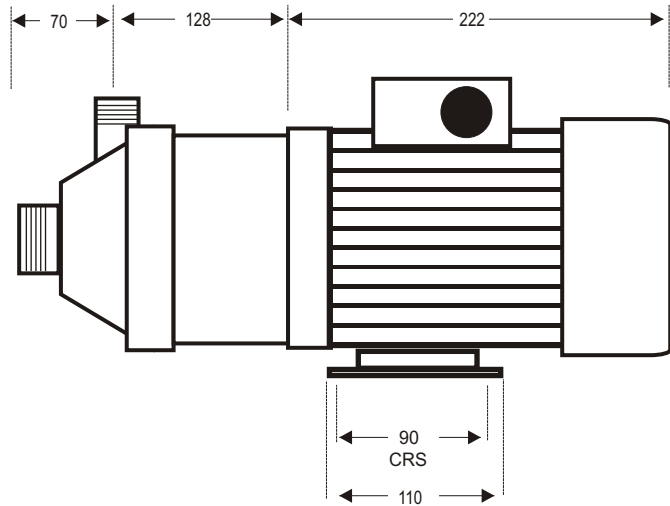
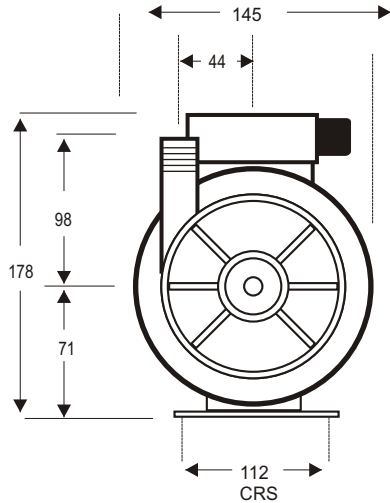
TE-7K-MD

DIMENSIONAL SCHEMATIC, PERFORMANCE AND PARTS LIST

DIMENSIONS mm

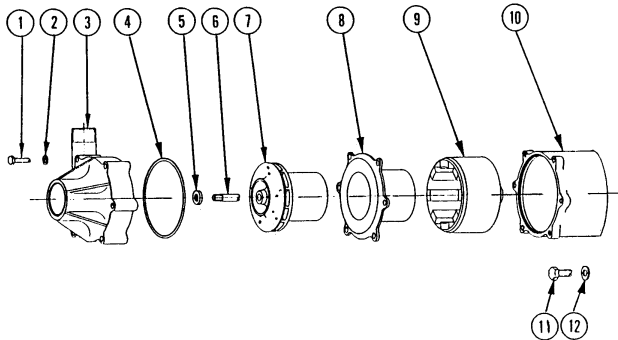
not to scale
specifications are subject to change

Inlet: 1 1/2" NPT.F
Outlet: 1" NPT.M



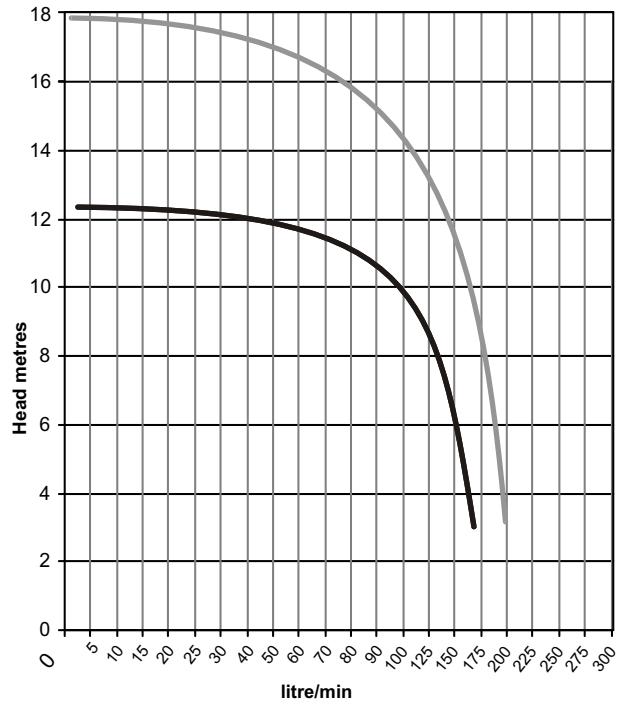
Details may change depending upon the motor specified

PARTS LIST



ITEM	DESCRIPTION	NOS	CODE
1	HOUSING SCREWS ST/STEEL	6	0170-100-UK
2	HOUSING WASHERS ST/STEEL	6	0160-201-UK
3	PUMP HOUSING KYNAR	1	0155-125-10
4	'O' RING VITON	1	0155-010-UK
5	THRUST WASHER	1	0155-009-10
6	SPINDLE CERAMIC	1	0155-039-UK
7	IMPELLER ASSY KYNAR-CARBON BUSH	1	0155-160-02
8	IMPELLER HOUSING KYNAR	1	0155-124-01
9	DRIVE MAGNET	1	0155-131-01
10	MOTOR BRACKET	1	0001-070-UK
11	BRACKET FIXING SCREWS	4	0160-100-UK
12	BRACKET FIXING WASHERS	4	0160-200-UK
13	WET END ASSY ITEMS 1-8		0070-333-21
14	PUMP HEAD ASSY ITEMS 1-12		P070-333-212

PERFORMANCE



Tests obtained with water 1.0 SG

— 60 hz 3480 rpm
— 50 hz 2900 rpm