

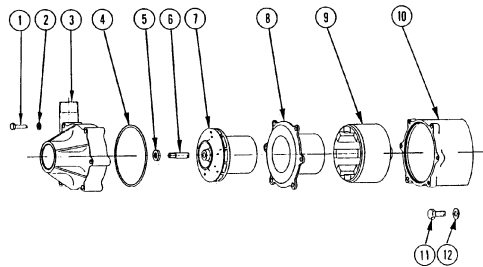


TE-7 RANGE

01/01/2011

DIMENSIONAL SCHEMATIC, PERFORMANCE AND PARTS

PARTS LIST



TE-7P-MD

1	HOUSING SCREWS ST/STEEL	6	0170-100-UK	£ 5.58
2	HOUSING WASHERS ST/STEEL	6	0160-201-UK	£ 3.00
3	PUMP HOUSING POLYPROPYLENE	1	0155-011-10	£ 54.11
4	VITON 'O' RING	1	0155-010-UK	£ 8.53
5	CERAMIC THRUST WASHER	1	0155-009-10	£ 9.39
6	CERAMIC SPINDLE	1	0155-039-UK	£ 18.38
7	IMPELLER ASSY C/W RULON BUSH	1	0155-159-07	£ 165.57
8	IMPELLER HOUSING POLYPRO	1	0155-091-01	£ 69.10
9	DRIVE MAGNET ASSY	1	0155-131-01	£ 325.96
10	MOTOR BRACKET	1	0001-070-UK	£ 28.42
11	BRACKET FIXING SCREWS	4	0160-100-UK	£ 3.08
12	BRACKET FIXING WASHERS	4	0160-200-UK	£ 2.44
WET END ASSY ITEMS 1-8				£ 333.57
PUMP HEAD ASSY ITEMS 1-12				£ 693.46

TE-7K-MD

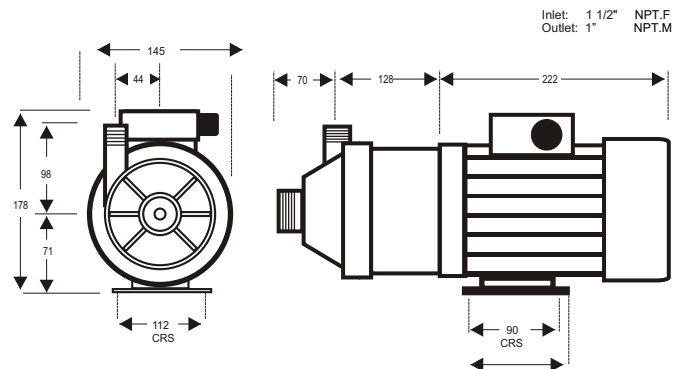
1	HOUSING SCREWS ST/STEEL	6	0170-100-UK	£ 5.58
2	HOUSING WASHERS ST/STEEL	6	0160-201-UK	£ 3.00
3	PUMP HOUSING KYNAR	1	0155-125-10	£ 151.23
4	'O' RING VITON	1	0155-010-UK	£ 8.53
5	THRUST WASHER	1	0155-009-10	£ 9.39
6	SPINDLE CERAMIC	1	0155-039-UK	£ 18.38
7	IMPELLER ASSY KYNAR-CARBON BUSH	1	0155-160-02	£ 331.14
8	IMPELLER HOUSING KYNAR	1	0155-124-01	£ 132.97
9	DRIVE MAGNET	1	0155-131-01	£ 325.96
10	MOTOR BRACKET	1	0001-070-UK	£ 28.42
11	BRACKET FIXING SCREWS	4	0160-100-UK	£ 3.08
12	BRACKET FIXING WASHERS	4	0160-200-UK	£ 2.44
WET END ASSY ITEMS 1-8				£ 660.14
PUMP HEAD ASSY ITEMS 1-12				£ 1,020.02

TE-7S-MD

1	HOUSING SCREWS ST/STEEL	6	0170-100-UK	£ 5.58
2	HOUSING WASHERS ST/STEEL	6	0160-201-UK	£ 3.00
3	PUMP HOUSING ST/STEEL	1	0155-036-10	£ 738.20
4	'O' RING VITON	1	0155-010-UK	£ 8.53
5	THRUST WASHER	1	0155-009-10	£ 9.39
6	SPINDLE CERAMIC	1	0155-117-10	£ 40.95
7	IMPELLER ASSY C/W RULON BUSH	1	0155-112-07	£ 1,198.12
8	IMPELLER HOUSING ST/STEEL	1	0155-035-10	£ 391.44
9	DRIVE MAGNET ASSY	1	0155-131-01	£ 325.96
10	MOTOR BRACKET	1	0001-070-UK	£ 28.42
11	BRACKET FIXING SCREWS	4	0160-100-UK	£ 3.08
12	BRACKET FIXING WASHERS	4	0160-200-UK	£ 2.44
WET END ASSY ITEMS 1-8				£ 2,395.13
PUMP HEAD ASSY ITEMS 1-12				£ 2,755.02

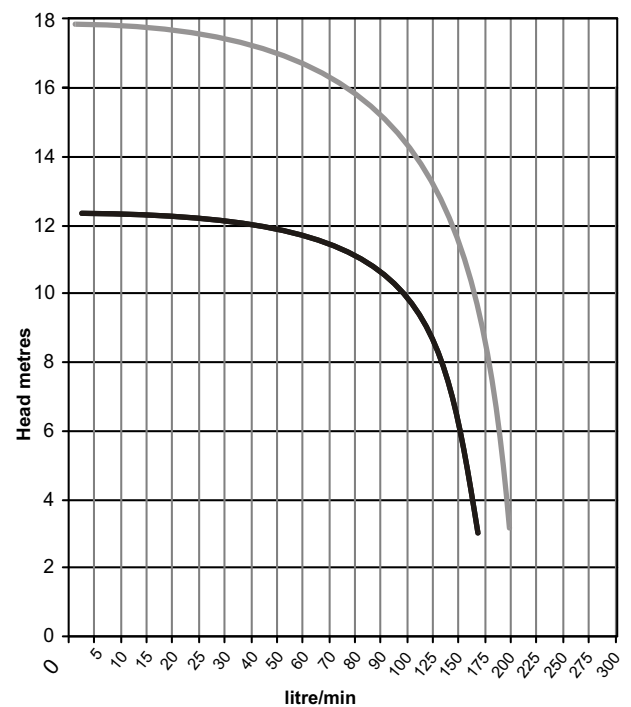
DIMENSIONS mm

not to scale specifications are subject to change



Details may change depending upon the motor specified

PERFORMANCE



Tests obtained with water 1.0 SG

— 60 hz 3480 rpm

— 50 hz 2900 rpm