



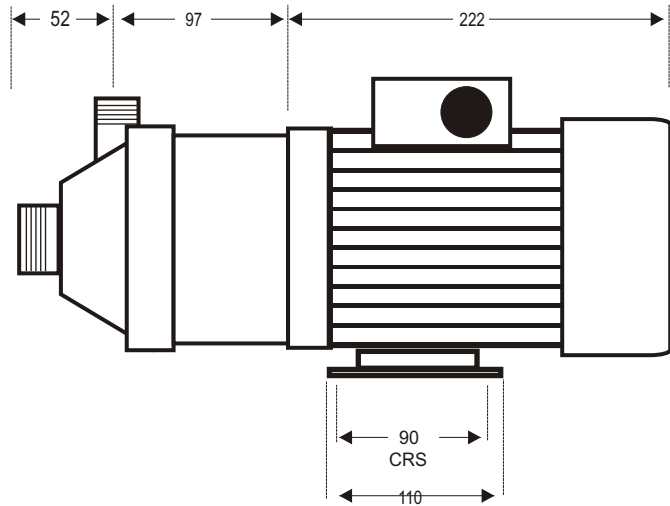
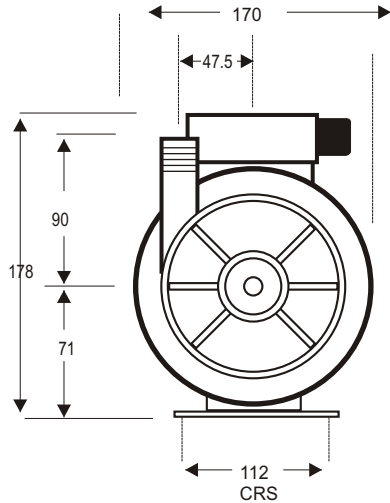
# TE-6K-MD

## DIMENSIONAL SCHEMATIC, PERFORMANCE AND PARTS LIST

### DIMENSIONS mm

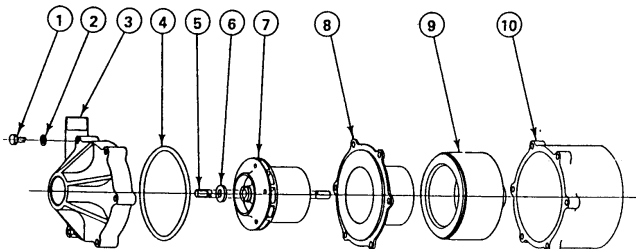
not to scale  
specifications are subject to change

Inlet: 1" BSP.F  
Outlet: 3/4" BSP.M



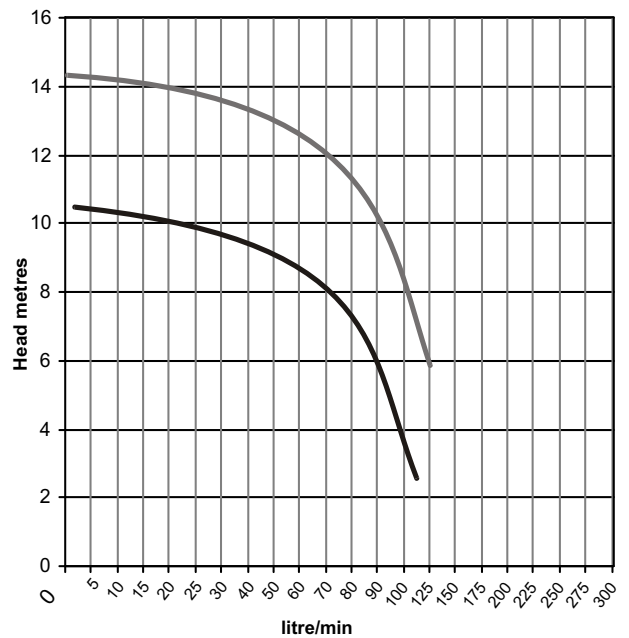
Details may change depending upon the motor specified

### PARTS LIST



ITEM	DESCRIPTION	NOS	CODE
1	HOUSING SCREWS ST/STEEL	6	0160-101-UK
2	HOUSING WASHERS ST/STEEL	6	0160-201-UK
3	PUMP HOUSING KYNAR	1	0153-042-10
4	VITON 'O' RING	1	0153-015-UK
5	CERAMIC SPINDLE	1	0153-007-10
6	CERAMIC THRUST WASHER	1	0155-009-10
7	IMPELLER ASSY KYNAR /RULON BUSH	1	0153-043-07
8	IMPELLER HOUSING KYNAR	1	0153-041-01
9	DRIVE MAGNET ASSY (14mm bore)	1	0153-035-02
10	MOTOR BRACKET	1	0001-060-UK
11	BRACKET FIXING SCREWS	4	0160-100-UK
12	BRACKET FIXING WASHERS	4	0160-200-UK
13	WET END ASSY ITEMS 1-8		0060-333-11
14	PUMP HEAD ASSY ITEMS 1-12		P060-333-112

### PERFORMANCE



Tests obtained with water 1.0 SG

— 60 hz 3480 rpm

— 50 hz 2900 rpm