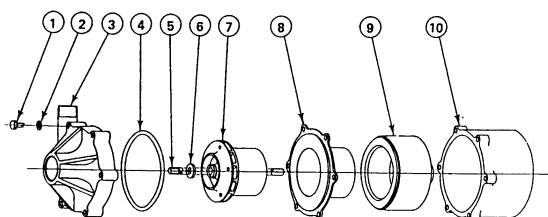




# TE-6 RANGE

## DIMENSIONAL SCHEMATIC, PERFORMANCE AND PARTS

### PARTS LIST



| ITEM DESCRIPTION                | NOS | CODE         | PRICE    |
|---------------------------------|-----|--------------|----------|
| <b>TE-6T-MD</b>                 |     |              |          |
| 1 HOUSING SCREW ST/STEEL        | 6   | 0160-101-UK  | £ 5.58   |
| 2 HOUSING WASHER ST/STEEL       | 6   | 0160-201-UK  | £ 3.00   |
| 3 PUMP HOUSING                  | 1   | 0153-002-10  | £ 52.79  |
| 4 VITON 'O' RING                | 1   | 0153-015-UK  | £ 8.61   |
| 5 CERAMIC SPINDLE               | 1   | 0153-007-10  | £ 32.12  |
| 6 CERAMIC THRUST WASHER         | 1   | 0155-009-10  | £ 9.39   |
| 7 IMPELLER ASSY W/RULON BUSH    | 1   | 0153-003-04  | £ 155.15 |
| 8 IMPELLER HOUSING              | 1   | 0153-005-01  | £ 46.94  |
| 9 DRIVE MAGNET ASSY (14mm bore) | 1   | 0153-035-02  | £ 124.51 |
| 10 MOTOR BRACKET                | 1   | 0001-060-UK  | £ 28.42  |
| 11 BRACKET FIXING SCREWS        | 4   | 0160-100-UK  | £ 3.08   |
| 12 BRACKET FIXING WASHERS       | 4   | 0160-200-UK  | £ 2.44   |
| WET END ASSY ITEMS 1-8          |     | 0060-221-11  | £ 313.50 |
| PUMP HEAD ASSY ITEMS 1-12       |     | P060-221-112 | £ 471.93 |

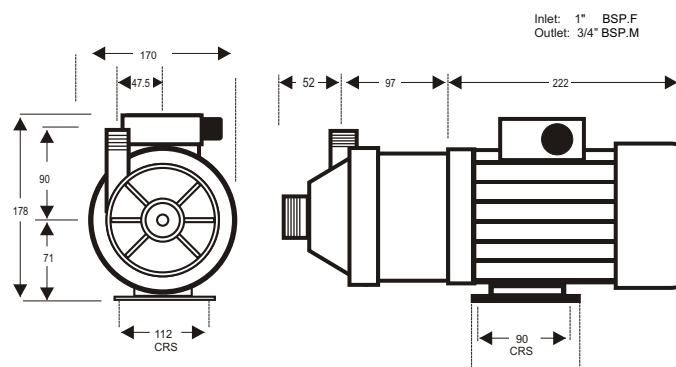
|                                 |   |              |          |
|---------------------------------|---|--------------|----------|
| <b>TE-6P-MD</b>                 |   |              |          |
| 1 HOUSING SCREW ST/STEEL        | 6 | 0160-101-UK  | £ 5.58   |
| 2 HOUSING WASHER ST/STEEL       | 6 | 0160-201-UK  | £ 3.00   |
| 3 PUMP HOUSING P.P.             | 1 | 0153-052-10  | £ 60.43  |
| 4 VITON 'O' RING                | 1 | 0153-015-UK  | £ 8.61   |
| 5 CERAMIC SPINDLE               | 1 | 0153-007-10  | £ 32.12  |
| 6 CERAMIC THRUST WASHER         | 1 | 0155-009-10  | £ 9.39   |
| 7 IMPELLER ASSY W/RULON BUSH    | 1 | 0153-003-04  | £ 155.15 |
| 8 IMPELLER HOUSING P.P.         | 1 | 0153-072-01  | £ 54.57  |
| 9 DRIVE MAGNET ASSY (14mm bore) | 1 | 0153-035-02  | £ 124.51 |
| 10 MOTOR BRACKET                | 1 | 0001-060-UK  | £ 28.42  |
| 11 BRACKET FIXING SCREWS        | 4 | 0160-100-UK  | £ 3.08   |
| 12 BRACKET FIXING WASHERS       | 4 | 0160-200-UK  | £ 2.44   |
| WET END ASSY ITEMS 1-8          |   | 0060-111-11  | £ 328.77 |
| PUMP HEAD ASSY ITEMS 1-12       |   | P060-111-112 | £ 487.20 |

|                                   |   |              |          |
|-----------------------------------|---|--------------|----------|
| <b>TE-6K-MD</b>                   |   |              |          |
| 1 HOUSING SCREWS ST/STEEL         | 6 | 0160-101-UK  | £ 5.58   |
| 2 HOUSING WASHERS ST/STEEL        | 6 | 0160-201-UK  | £ 3.00   |
| 3 PUMP HOUSING KYNAR              | 1 | 0153-042-10  | £ 119.94 |
| 4 VITON 'O' RING                  | 1 | 0153-015-UK  | £ 8.61   |
| 5 CERAMIC SPINDLE                 | 1 | 0153-007-10  | £ 32.12  |
| 6 CERAMIC THRUST WASHER           | 1 | 0155-009-10  | £ 9.39   |
| 7 IMPELLER ASSY KYNAR /RULON BUSH | 1 | 0153-043-07  | £ 313.53 |
| 8 IMPELLER HOUSING KYNAR          | 1 | 0153-041-01  | £ 118.64 |
| 9 DRIVE MAGNET ASSY (14mm bore)   | 1 | 0153-035-02  | £ 124.51 |
| 10 MOTOR BRACKET                  | 1 | 0001-060-UK  | £ 28.42  |
| 11 BRACKET FIXING SCREWS          | 4 | 0160-100-UK  | £ 3.08   |
| 12 BRACKET FIXING WASHERS         | 4 | 0160-200-UK  | £ 2.44   |
| WET END ASSY ITEMS 1-8            |   | 0060-333-11  | £ 610.73 |
| PUMP HEAD ASSY ITEMS 1-12         |   | P060-333-112 | £ 769.17 |

|                                   |   |              |          |
|-----------------------------------|---|--------------|----------|
| <b>TE-6RK-MD</b>                  |   |              |          |
| 1 HOUSING SCREW ST/STEEL          | 6 | 0160-101-UK  | £ 5.58   |
| 2 HOUSING WASHER ST/STEEL         | 6 | 0160-201-UK  | £ 3.00   |
| 3 PUMP HOUSING                    | 1 | 0153-002-10  | £ 52.79  |
| 4 VITON 'O' RING                  | 1 | 0153-015-UK  | £ 8.61   |
| 5 CERAMIC SPINDLE                 | 1 | 0153-007-10  | £ 32.12  |
| 6 CERAMIC THRUST WASHER           | 1 | 0155-009-10  | £ 9.39   |
| 7 IMPELLER ASSY KYNAR /RULON BUSH | 1 | 0153-043-07  | £ 313.53 |
| 8 IMPELLER HOUSING                | 1 | 0153-005-01  | £ 46.94  |
| 9 DRIVE MAGNET ASSY (14mm bore)   | 1 | 0153-035-02  | £ 124.51 |
| 10 MOTOR BRACKET                  | 1 | 0001-060-UK  | £ 28.42  |
| 11 BRACKET FIXING SCREWS          | 4 | 0160-100-UK  | £ 3.08   |
| 12 BRACKET FIXING WASHERS         | 4 | 0160-200-UK  | £ 2.44   |
| WET END ASSY ITEMS 1-8            |   | 0060-111-11  | £ 471.88 |
| PUMP HEAD ASSY ITEMS 1-12         |   | P060-111-112 | £ 630.32 |

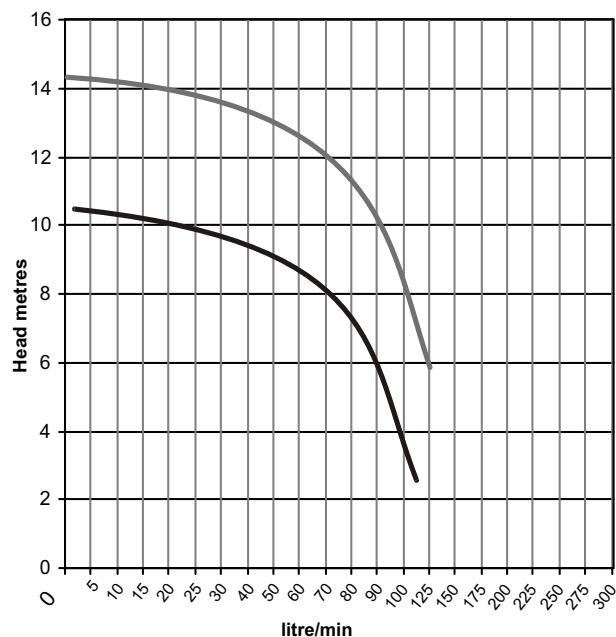
### DIMENSIONS mm

not to scale specifications are subject to change



Details may change depending upon the motor specified

### PERFORMANCE



Tests obtained with water 1.0 SG

— 60 hz 3480 rpm  
— 50 hz 2900 rpm