



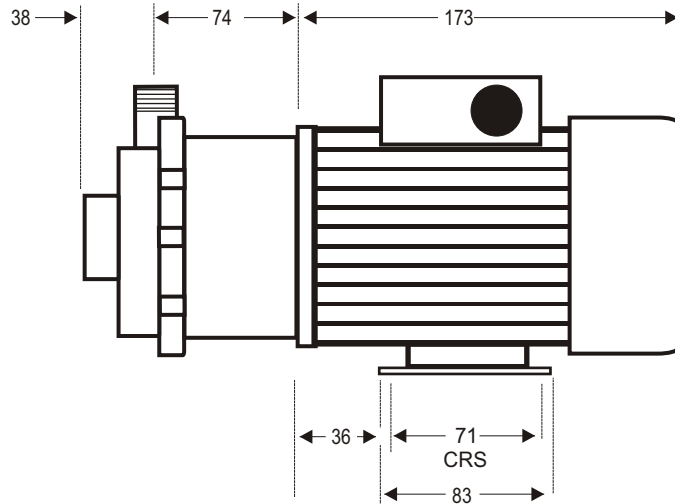
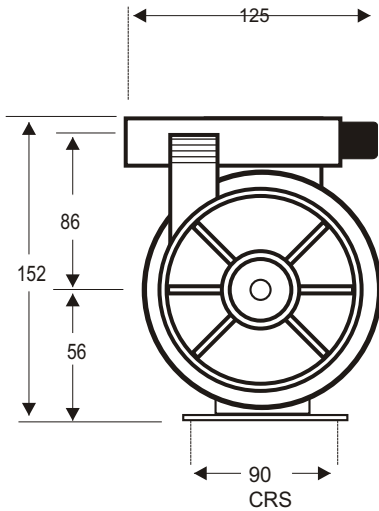
TE-5iP-MD

DIMENSIONAL SCHEMATIC, PERFORMANCE AND PARTS LIST

DIMENSIONS mm

not to scale
specifications are subject to change

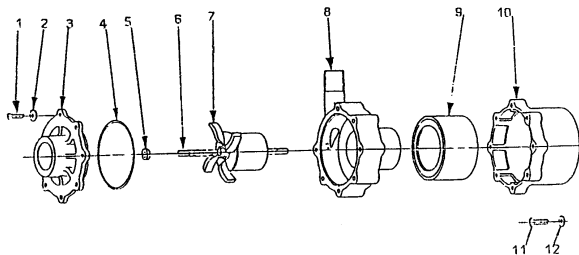
Inlet: 1" NPT.F
Outlet: 1/2" BSP.M



Details may change depending upon the motor specified

120watt Dutchi motor

PARTS LIST

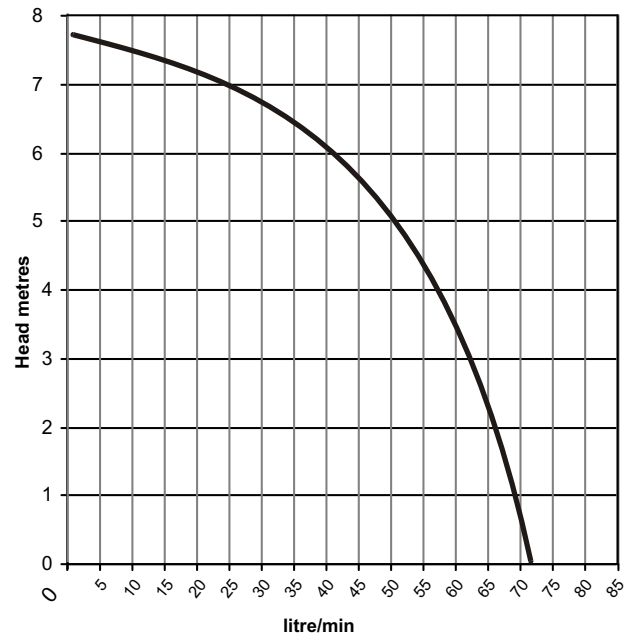


ITEM	DESCRIPTION	NOS	CODE
------	-------------	-----	------

TE-5iP-MD

1	HOUSING SCREWS ST/STEEL	7	0150-100-UK
2	HOUSING WASHERS ST/STEEL	7	0150-200-UK
3	PUMP COVER POLYPRO (BSP)	1	1099-002-10
4	'O' RING VITON	1	0135-023-UK
5	CERAMIC THRUST WASHER	1	0130-028-UK
6	CERAMIC SPINDLE	1	0130-024-UK
7	IMPELLER ASSY (ENCAP) 50hz P.P.	1	0150-129-02
8	PUMP HOUSING POLYPROPYLENE	1	0150-031-01
9	DRIVE MAGNET ASSY (9mm)	1	0150-178-01
10	MOTOR BRACKET	1	0001-050-UK
11	BRACKET FIXING SCREWS	4	0130-100-UK
12	BRACKET FIXING WASHERS	4	0135-200-UK
	WET END ASSY ITEMS 1-8		0051-111-01
	PUMP HEAD ASSY ITEMS 1-12		P051-111-013

PERFORMANCE



Tests obtained with water 1.0 SG

— 50 Hz 2900 rpm