

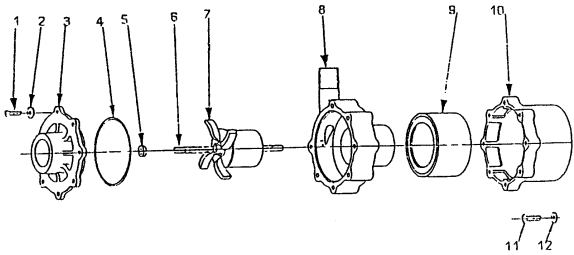


# TE-5i RANGE

01/01/2011

## DIMENSIONAL SCHEMATIC, PERFORMANCE AND PARTS

### PARTS LIST



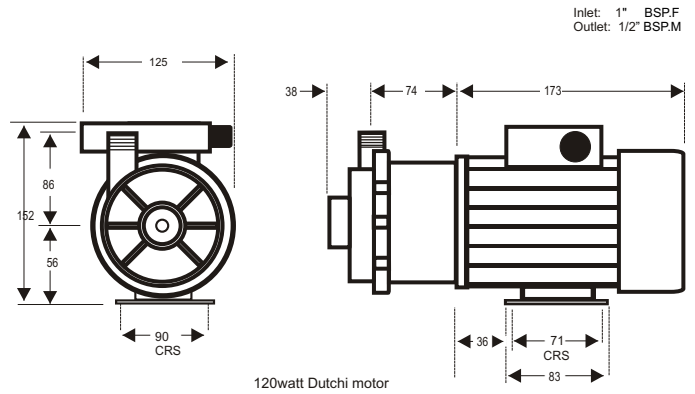
ITEM DESCRIPTION	NOS	CODE	PRICE
<b>TE-5iP-MD</b>			
1 HOUSING SCREWS ST/STEEL	7	0150-100-UK	£ 4.06
2 HOUSING WASHERS ST/STEEL	7	0150-200-UK	£ 0.98
3 PUMP COVER POLYPRO (BSP)	1	1099-002-10	£ 18.25
4 'O' RING VITON	1	0135-023-UK	£ 5.86
5 CERAMIC THRUST WASHER	1	0130-028-UK	£ 5.22
6 CERAMIC SPINDLE	1	0130-024-UK	£ 13.17
7 IMPELLER ASSY (ENCAP) 50hz P.P.	1	0150-129-02	£ 101.04
8 PUMP HOUSING POLYPROPYLENE	1	0150-031-01	£ 20.21
9 DRIVE MAGNET ASSY (9mm)	1	0150-178-01	£ 137.34
10 MOTOR BRACKET	1	0001-050-UK	£ 32.76
11 BRACKET FIXING SCREWS	4	0130-100-UK	£ 1.48
12 BRACKET FIXING WASHERS	4	0135-200-UK	£ 1.48
WET END ASSY ITEMS 1-8		0051-111-01	£ 168.75
PUMP HEAD ASSY ITEMS 1-12		P051-111-013	£ 341.79

### TE-5iK-MD

1 HOUSING SCREWS ST/STEEL	7	0150-100-UK	£ 4.06
2 HOUSING WASHERS ST/STEEL	7	0150-200-UK	£ 0.98
3 PUMP COVER KYNAR	1	0150-124-10	£ 51.26
4 'O' RING VITON	1	0135-023-UK	£ 5.86
5 CERAMIC THRUST WASHER	1	0130-028-UK	£ 5.22
6 CERAMIC SPINDLE	1	0130-024-UK	£ 13.17
7 IMPELLER ASSY (ENCAP) 50hz PVDF	1	0150-130-02	£ 179.26
8 PUMP HOUSING KYNAR	1	0150-123-01	£ 69.10
9 DRIVE MAGNET ASSY (9mm)	1	0150-178-01	£ 137.34
10 MOTOR BRACKET	1	0001-050-UK	£ 32.76
11 BRACKET FIXING SCREWS	1	0130-100-UK	£ 1.48
12 BRACKET FIXING WASHERS	4	0135-200-UK	£ 1.48
WET END ASSY ITEMS 1-8		0051-333-01	£ 328.86
PUMP HEAD ASSY ITEMS 1-12		P051-333-013	£ 501.90

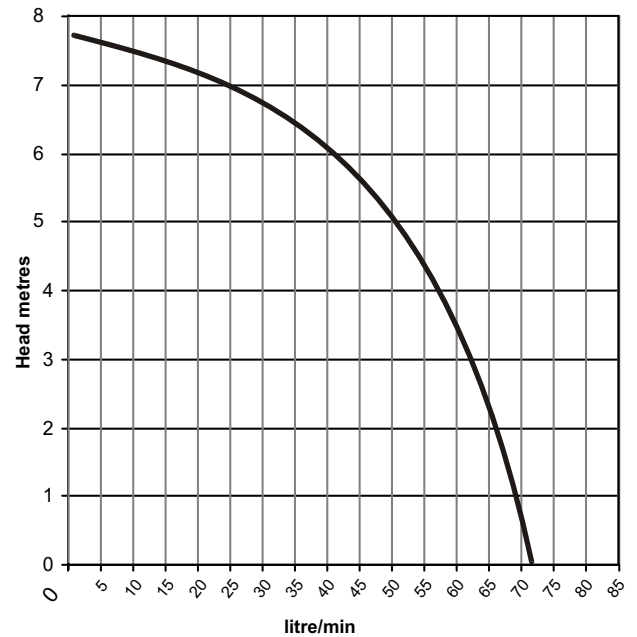
### DIMENSIONS mm

not to scale specifications are subject to change



Details may change depending upon the motor specified

### PERFORMANCE



Tests obtained with water 1.0 SG

— 50 hz 2900 rpm