

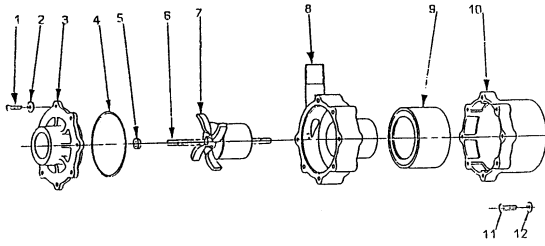


# TE-5 RANGE

01/01/2011

## DIMENSIONAL SCHEMATIC, PERFORMANCE AND PARTS

### PARTS LIST



ITEM DESCRIPTION	NOS	CODE	PRICE
<b>TE-5P-MD</b>			
1 HOUSING SCREWS ST/STEEL	7	0150-100-UK	£ 4.06
2 HOUSING WASHERS ST/STEEL	7	0150-200-UK	£ 0.98
3 PUMP COVER POLYPROPYLENE (BSP)	1	1099-002-10	£ 18.25
4 'O' RING VITON	1	0135-023-UK	£ 5.86
5 CERAMIC THRUST WASHER	1	0130-028-UK	£ 5.22
6 CERAMIC SPINDLE	1	0130-024-UK	£ 13.17
7 IMPELLER ASSY POLYPROPYLENE	1	0150-098-02	£ 94.85
8 PUMP HOUSING POLYPROPYLENE	1	0150-031-01	£ 20.21
9 DRIVE MAGNET ASSY (9mm)	1	0750-193-01	£ 50.76
10 MOTOR BRACKET	1	0001-050-UK	£ 32.76
11 BRACKET FIXING SCREWS	4	0135-100-UK	£ 1.48
12 BRACKET FIXING WASHERS	4	0135-200-UK	£ 1.48
WET END ASSY ITEMS 1-8		0050-111-01	£ 162.55
PUMP HEAD ASSY ITEMS 1-12		P050-111-012	£ 249.01

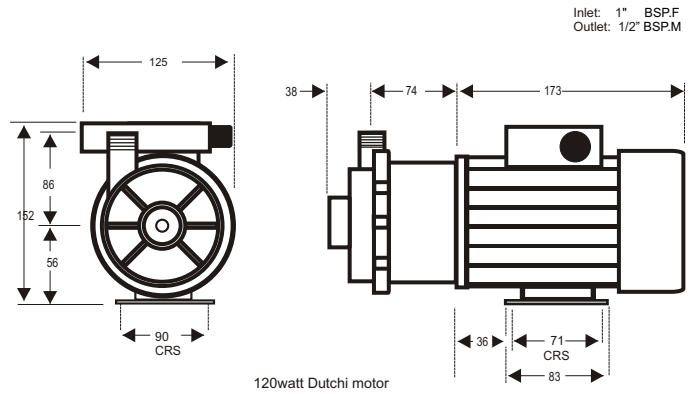
<b>TE-5R-MD</b>			
1 HOUSING SCREWS ST/STEEL	7	0150-100-UK	£ 4.06
2 HOUSING WASHERS ST/STEEL	7	0150-200-UK	£ 0.98
3 PUMP COVER RYTON (BSP)	1	0150-167-10	£ 33.57
4 'O' RING VITON	1	0135-023-UK	£ 5.86
5 CERAMIC THRUST WASHER	1	0130-028-UK	£ 5.22
6 CERAMIC SPINDLE	1	0130-024-UK	£ 13.17
7 IMPELLER ASSY RYTON	1	0150-053-02	£ 92.57
8 PUMP HOUSING RYTON	1	0150-072-10	£ 37.81
9 DRIVE MAGNET ASSY 9mm	1	0750-193-01	£ 50.76
10 MOTOR BRACKET	1	0001-050-UK	£ 32.76
11 BRACKET FIXING SCREWS	4	0135-100-UK	£ 1.48
12 BRACKET FIXING WASHERS	4	0135-200-UK	£ 1.48
WET END ASSY ITEMS 1-8		0050-222-01	£ 193.19
PUMP HEAD ASSY ITEMS 1-12		P050-222-012	£ 279.65

<b>TE-5K-MD</b>			
1 HOUSING SCREWS ST/STEEL	7	0150-100-UK	£ 4.06
2 HOUSING WASHERS ST/STEEL	7	0150-200-UK	£ 0.98
3 PUMP COVER KYNAR (BSP)	1	0150-124-10	£ 51.26
4 'O' RING VITON	1	0135-023-UK	£ 5.86
5 CERAMIC THRUST WASHER	1	0130-028-UK	£ 5.22
6 CERAMIC SPINDLE	1	0130-024-UK	£ 13.17
7 IMPELLER ASSY KYNAR	1	0150-125-02	£ 133.90
8 PUMP HOUSING KYNAR	1	0150-123-01	£ 69.10
9 DRIVE MAGNET ASSY 9mm	1	0750-193-01	£ 50.76
10 MOTOR BRACKET	1	0001-050-UK	£ 32.76
11 BRACKET FIXING SCREWS	4	0135-100-UK	£ 1.48
12 BRACKET FIXING WASHERS	4	0135-200-UK	£ 1.48
WET END ASSY ITEMS 1-8		0050-333-01	£ 283.50
PUMP HEAD ASSY ITEMS 1-12		P050-333-012	£ 369.96

<b>TE-5S-MD</b>			
1 HOUSING SCREWS ST/STEEL	7	0150-101-UK	£ 4.06
2 HOUSING WASHERS ST/STEEL	7	0150-200-UK	£ 0.98
3 COVER ST/STEEL	1	0150-111-00	£ 302.06
4 'O' RING PTFE	1	0135-136-UK	£ 18.92
5 THRUST WASHER	1	130-028-UK	£ 5.22
6 SPINDLE ST/ST	1	5021-230-51	£ 13.17
7 IMPELLER ASSY ST/ST 2.75	1	0150-114-04	£ 769.97
7a CARBON BUSHING	1	0150-063-10	£ 30.52
8 PUMP HOUSING ST/STEEL	1	0150-110-00	£ 447.49
9 DRIVE MAGNET (9mm) HIGH TORQUE	1	0150-178-01	£ 137.34
10 MOTOR BRACKET C/W INSERTS	1	0001-051-UK	£ 40.28
11 BRACKET FIXING SCREWS	4	0135-100-UK	£ 1.48
12 BRACKET FIXING WASHERS	4	0135-200-UK	£ 1.48
WET END ASSY ITEMS 1-8		005-555-21	£ 1,592.35
PUMP HEAD ASSY ITEMS 1-12		P050-555-21	£ 1,772.90

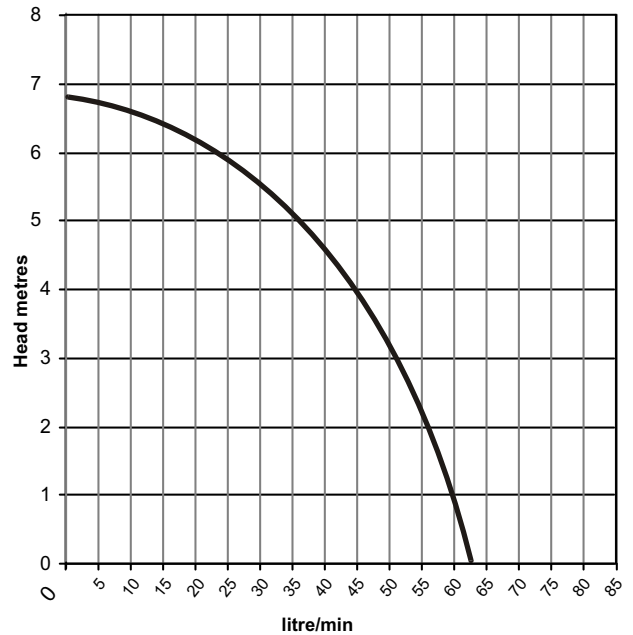
### DIMENSIONS mm

not to scale specifications are subject to change



Details may change depending upon the motor specified

### PERFORMANCE



Tests obtained with water 1.0 SG

— 50 hz 2900 rpm