



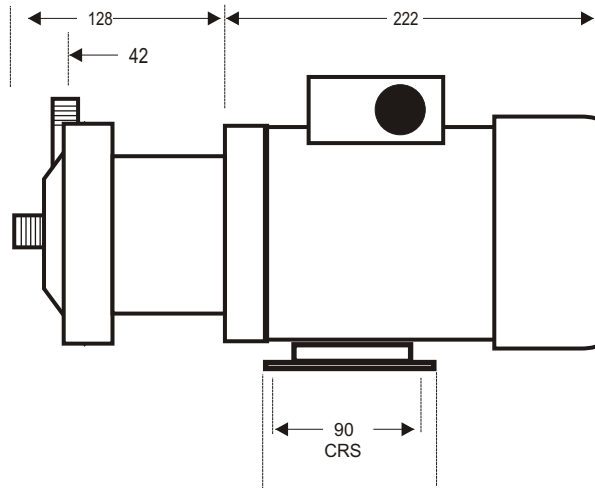
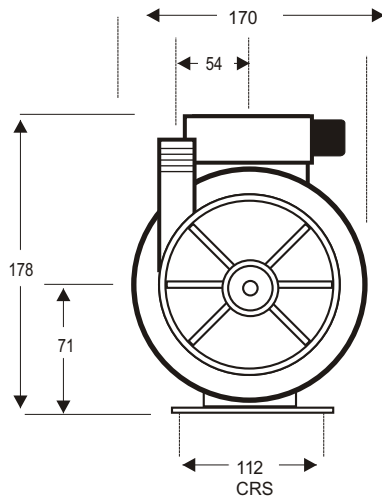
TE-335P-MD

DIMENSIONAL SCHEMATIC, PERFORMANCE AND PARTS LIST

DIMENSIONS mm

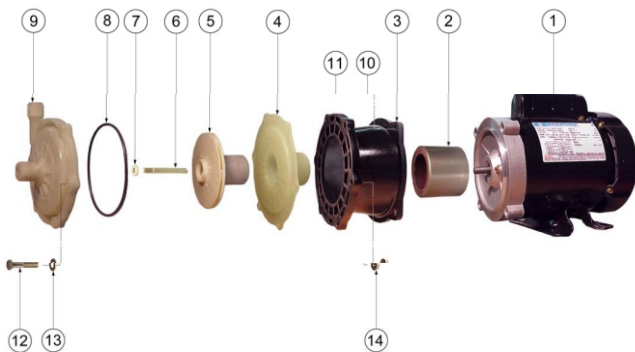
not to scale
specifications are subject to change

Inlet: 3/4" MPT or smooth
Outlet: 3/4" MPT or smooth



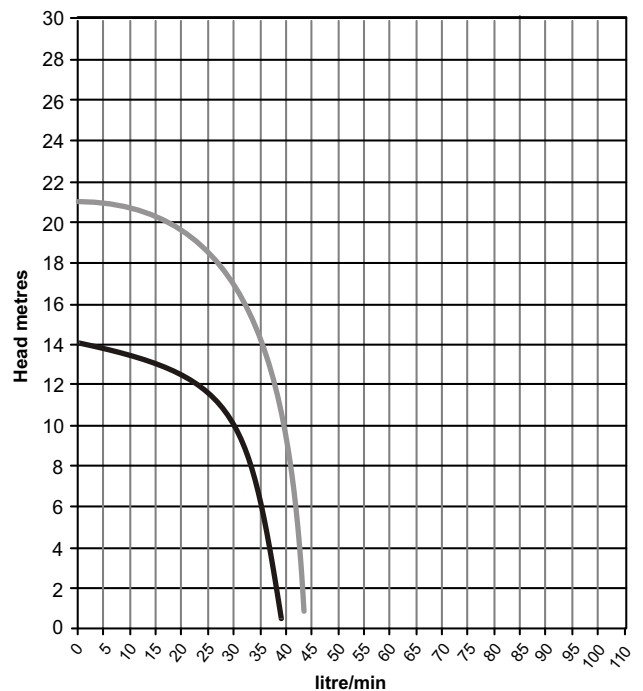
Details may change depending upon the motor specified

PARTS LIST



ITEM	DESCRIPTION	QTY.	PART NO.
2	Drive Magnet Assembly	1	0151-0061-0100
3	Motor Bracket	1	0335-0010-1000
4	Rear Housing (Polypropylene)	1	0335-0004-0100
5	Impeller (Polypropylene)	1	0335-0005-0200
	Impeller w/carbon bushing		0335-0005-0400
	Impeller w/mica Teflon bushing		0335-0005-0500
6	Shaft (Ceramic)	1	0130-0024-1000
7	Thrust Washer (Ceramic)	1	0821-0079-1000
8	"O" Ring (Viton)	1	0335-0009-1000
9	Front Housing – Threaded (Polypropylene)	1	0335-0002-1000
	Front Housing – Smooth (Polypropylene)		0335-0003-1000
10	Washer (Stainless)	4	0155-0019-1000
11	Screw (Stainless)	4	0155-0017-1000
12	Screw (Stainless)	6	0153-0011-1000
13	Washer (Stainless)	6	0157-0023-1000
14	Lock nut (Stainless)	6	0156-0053-1000

PERFORMANCE



Tests obtained with water 1.0 SG

— 50 hz 2900 rpm
— 60 hz 3450 rpm