

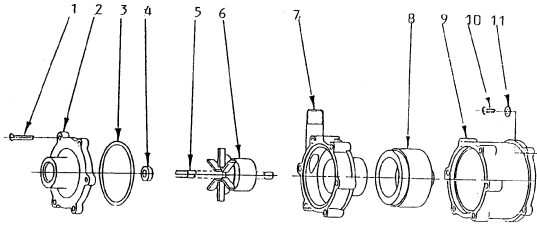


TE-2CP-MD

01/01/2011

DIMENSIONAL SCHEMATIC, PERFORMANCE AND PARTS

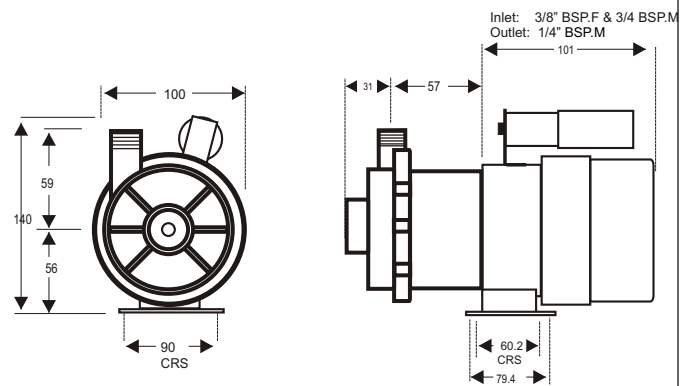
PARTS LIST



ITEM DESCRIPTION	NOS	CODE	PRICE
TE-2CP-MD/UE			
1 COVER SCREW	6	0115-062-10	£ 4.20
2 COVER	1	0125-056-10	£ 9.50
3 COVER 'O' RING	1	0125-065-UK	£ 5.24
4 CERAMIC THRUST WASHER	1	0130-028-UK	£ 5.22
5 IMPELLER SPINDLE CERAMIC	1	0125-061-10	£ 11.46
6 IMPELLER & MAGNET ASSY	1	0125-087-02	£ 47.06
7 PUMP HOUSING	1	0125-058-10	£ 12.39
8 DRIVE MAGNET ASSY 5/16"	1	5002-200-01	£ 32.43
9 MOTOR CONNECTING BRACKET	1	0125-069-10	£ 13.27
10 SCREWS	4	5021-220-50	£ 1.80
11 WASHERS	4	0858-004-UK	£ 1.48
WET END ASSY ITEMS 1-7	0020-111-01		£ 94.96
PUMP HEAD ASSY ITEMS 1-11	P020-111-011		£ 143.89

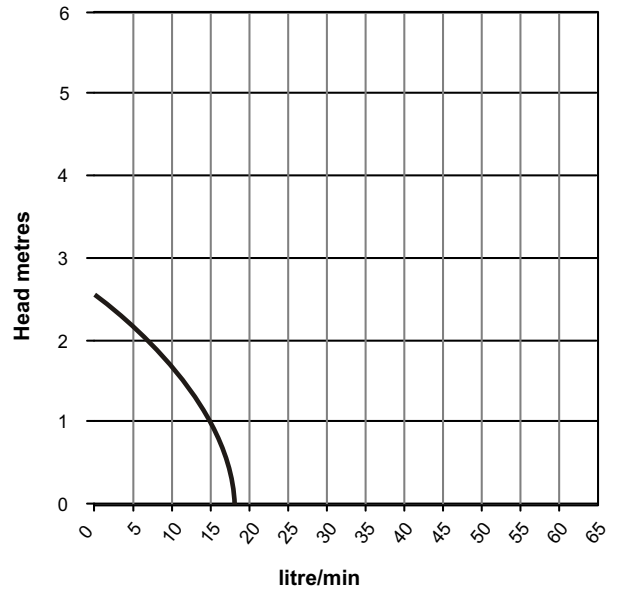
DIMENSIONS mm

not to scale specifications are subject to change



Details may change depending upon the motor specified

PERFORMANCE



Tests obtained with water 1.0 SG

— 50 hz 2900 rpm