

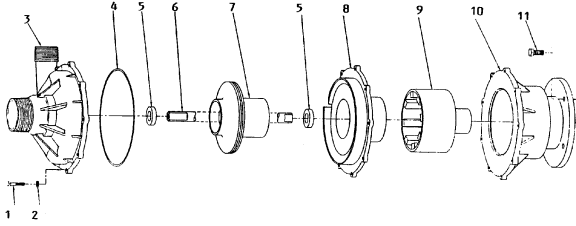


# TE-10K-MD

01/01/2011

## DIMENSIONAL SCHEMATIC, PERFORMANCE AND PARTS

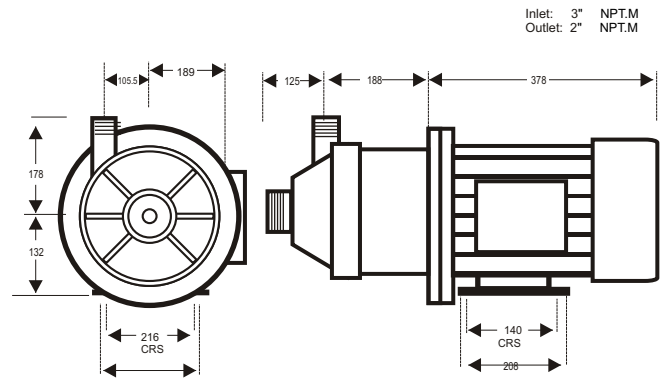
### PARTS LIST



ITEM DESCRIPTION	NOS	CODE	PRICE
<b>TE-10K-MD</b>			
1 PUMP HOUSING SCREWS ST/ST	9	0160-029-10	£ 10.35
2 PUMP HOUSING WASHERS ST/S	9	0160-030-10	£ 3.69
3 FRONT HOUSING KYNAR	1	0161-008-10	£ 515.19
4 'O' RING VITON	1	0161-010-10	£ 23.66
5 THRUST WASHER each	2	0161-001-10	£ 64.41
6 IMPELLER SHAFT CERAMIC	1	0161-002-10	£ 174.81
7 IMPELLER ASSY	1	0161-005-04	£ 1,287.99
8 REAR HOUSING	1	0161-009-10	£ 441.60
9 DRIVE MAGNET ASSY	1	0161-031-01	£ 1,044.21
10 MOTOR BRACKET	1	0161-007-10	£ 414.00
11 BRACKET FIXING BOLTS	4	0160-031-10	£ 5.12
WET END ASSY ITEMS 1-8		0010-333-21	£ 2,521.70
PUMP HEAD ASSY ITEMS 1-11		P010-333-210	£ 3,985.03

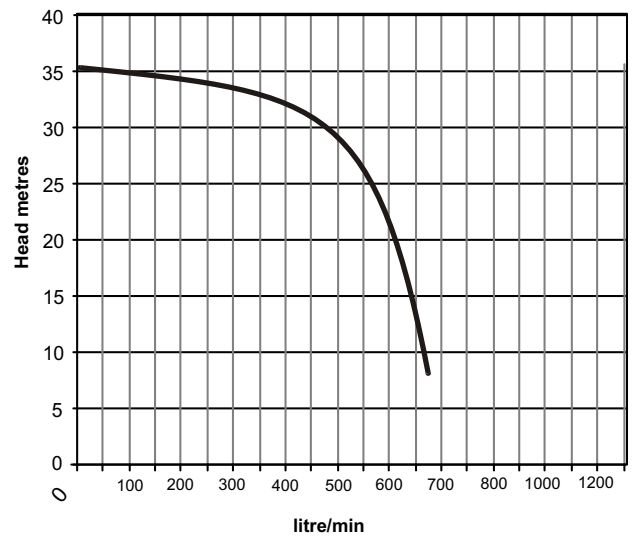
### DIMENSIONS mm

not to scale specifications are subject to change



Details may change depending upon the motor specified

### PERFORMANCE



Tests obtained with water 1.0 SG

— 50 hz 2900 rpm