

SDM



SS 316

FEATURES

- Single stage centrifugal pumps
- Performances and Dimensions: our standard PN 10;
- Models: 2x8 up to 4x14
- Threaded nozzles, option Flanged

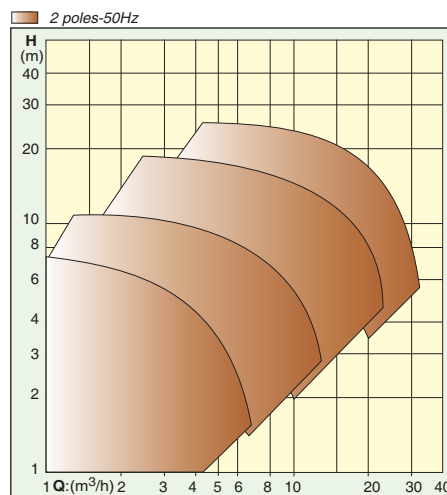
MATERIALS

- Stainless Steel AISI 316 with cast components CF8M
- On request Incoloy 825 and Hastelloy C

APPLICATIONS

- Chemical plants (light duty)
- Pharmaceutical
- Food processing
- Laboratories
- Transfer of solvents and alkalies
- Refrigerants

Discharge nozzles	:	3/4" up to 1 1/2"
Poles	:	2
Capacity (m ³ /h)	:	up to 30
Head (m)	:	up to 30
Max.Pressure (Bar)	:	10
Max.Temper. (°C)	:	200





POMPE TRASCINAMENTO MAGNETICO
MAGNETIC DRIVE PUMPS
POMPES ACTIONNEMENT MAGNETIQUE

SDM _____

ISD0101

REV.

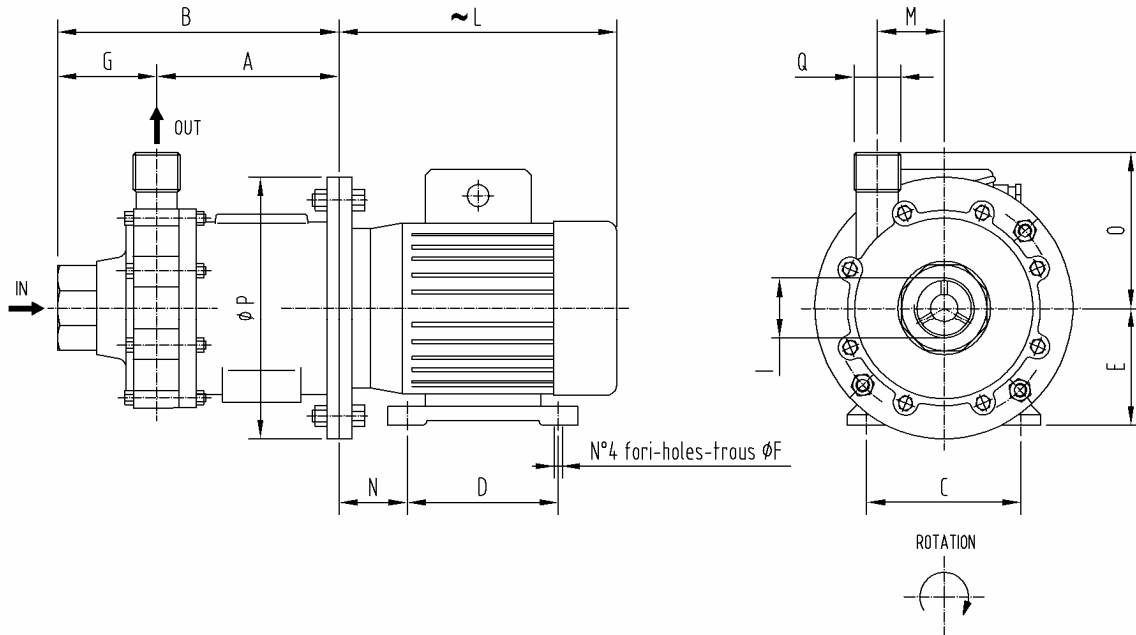
A

DATA 11/05/2005

DIS. M.F.

CONTR. G.G.

DIMENSIONI DI INGOMBRO - OVERALL DIMENSIONS - ENCOMBREMENTS



~L DIMENSIONI NON IMPEGNATIVE - DIMENSIONS NOT BINDING - DIMENSIONS DONNÉES À TITRE ENDICATIF

BOCCA FILETTATA - THREADED NOZZLE - ORIFICE FILETÉE

Tio Type	I	Q	Dimensioni - Dimensions - Dimensions mm											
	Gas	Gas	A	B	C	D	E	F	G	L	M	N	O	P
2 x 8	1"	3/4"	137	194	112	90	71	7	57	210	46	45	89	160
2,5 x 10	1 1/2"	1"	143	212	112	100	80	9	69	230	44	50	98	200
3 x 12	1 1/2"	1 1/4"	176	255	140	100	90	9	79	270	62	56	125	200
4 x 14	2"	1 1/2"	178	262	140	125	90	9	84	270	67	56	140	200

Motore Motor Moteur I.E.C. 2 poles 50Hz	
B3 / B5	kW
71 B	0,55
80 B	1,1
90 S	1,5
90 L	2,2



POMPE TRASCINAMENTO MAGNETICO
MAGNETIC DRIVE PUMPS
POMPES ACTIONNEMENT MAGNETIQUE

SDM _____

ISD0102

REV.

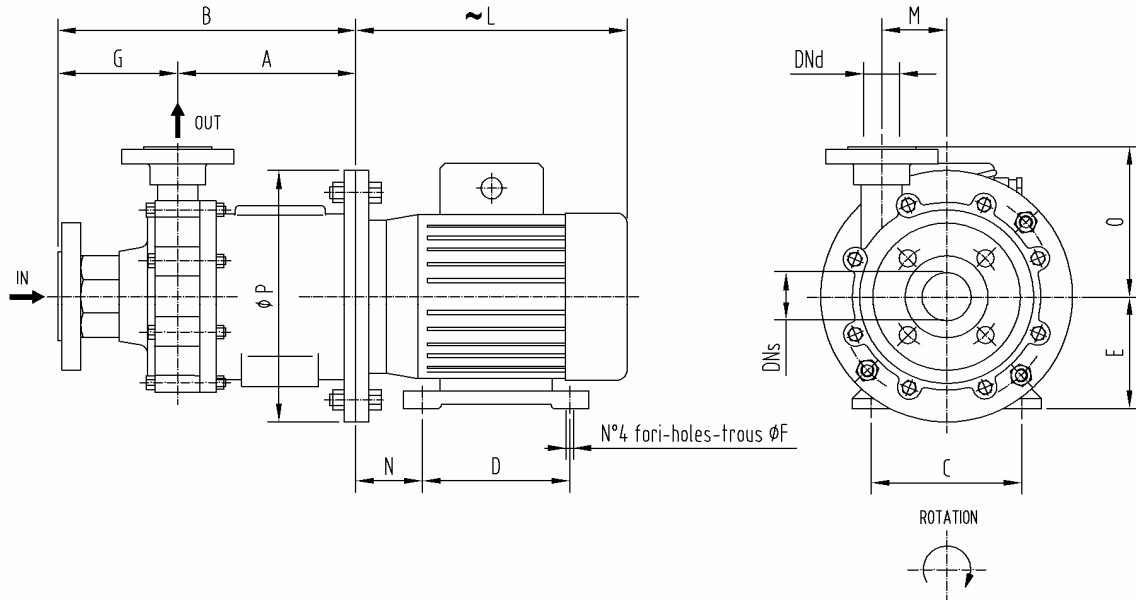
A

DATA 11/05/2005

DIS. M.F.

CONTR. G.G.

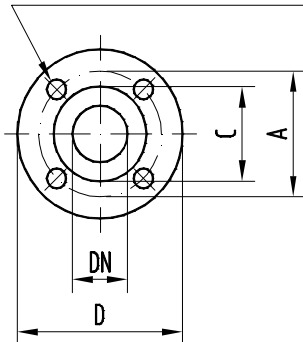
DIMENSIONI DI INGOMBRO - OVERALL DIMENSIONS - ENCOMBREMENTS



~L DIMENSIONI NON IMPEGNATIVE - DIMENSIONS NOT BINDING - DIMENSIONS DONNÉES À TITRE ENDICATIF

FLANGE - FLANGES - BRIDES

N° F fori-holes-trous ØG



DN	UNI PN 10				
	D	C	A	F	G
20	105	58	75	4	14
25	115	68	85	4	14
32	140	78	100	4	18
40	150	88	110	4	18
50	165	102	125	4	18

Ø	ANSI 150 RF				
	D	C	A	F	G
3/4"	98,4	42,9	69,8	4	15,9
1"	107,9	50,8	79,4	4	15,9
1 1/4"	117,5	63,5	88,9	4	15,9
1 1/2"	127	73	98,4	4	15,9
2"	152,4	92,1	120,6	4	19

Tipo Type	DNs	DNd	Dimensioni - Dimensions - Dimensions mm											
	mm	mm	A	B	C	D	E	F	G	L	M	N	O	P
2 x 8	25	20	137	211	112	90	71	7	74	210	46	45	96	160
2,5 x 10	40	25	143	230	112	100	80	9	87	230	44	50	105	200
3 x 12	40	32	176	276	140	100	90	9	100	270	62	56	130	200
4 x 14	50	40	178	284	140	125	90	9	106	270	67	56	147	200

Motore Motor Moteur I.E.C. 2 poles 50Hz	
B3 / B5	kW
71 B	0,55
80 B	1,1
90 S	1,5
90 L	2,2



POMPA TIPO
PUMP TYPE
POMPE TYPE

SDM 2x8

CURVA N.
CSD1AA2A

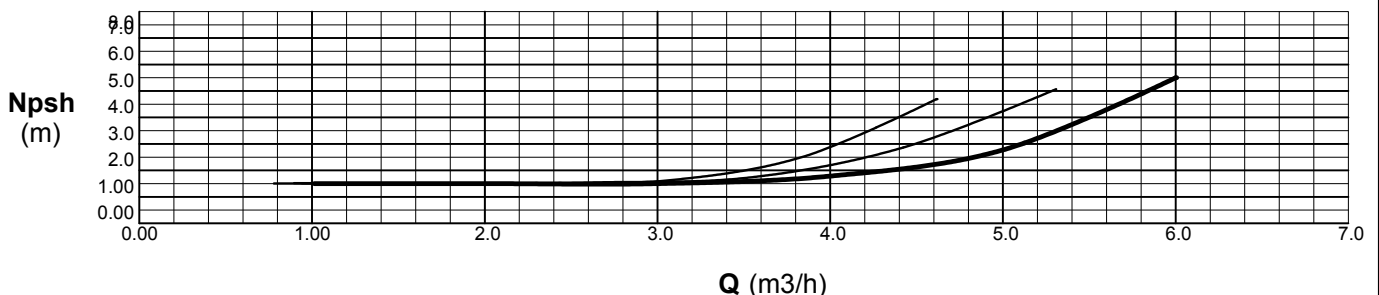
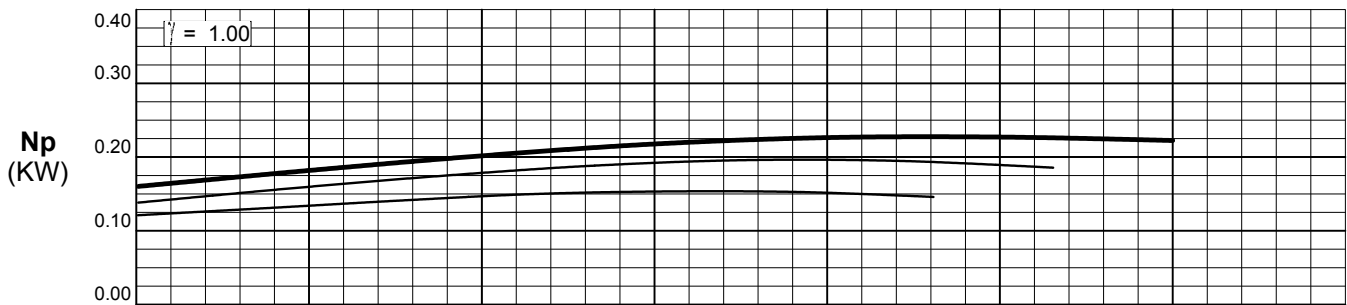
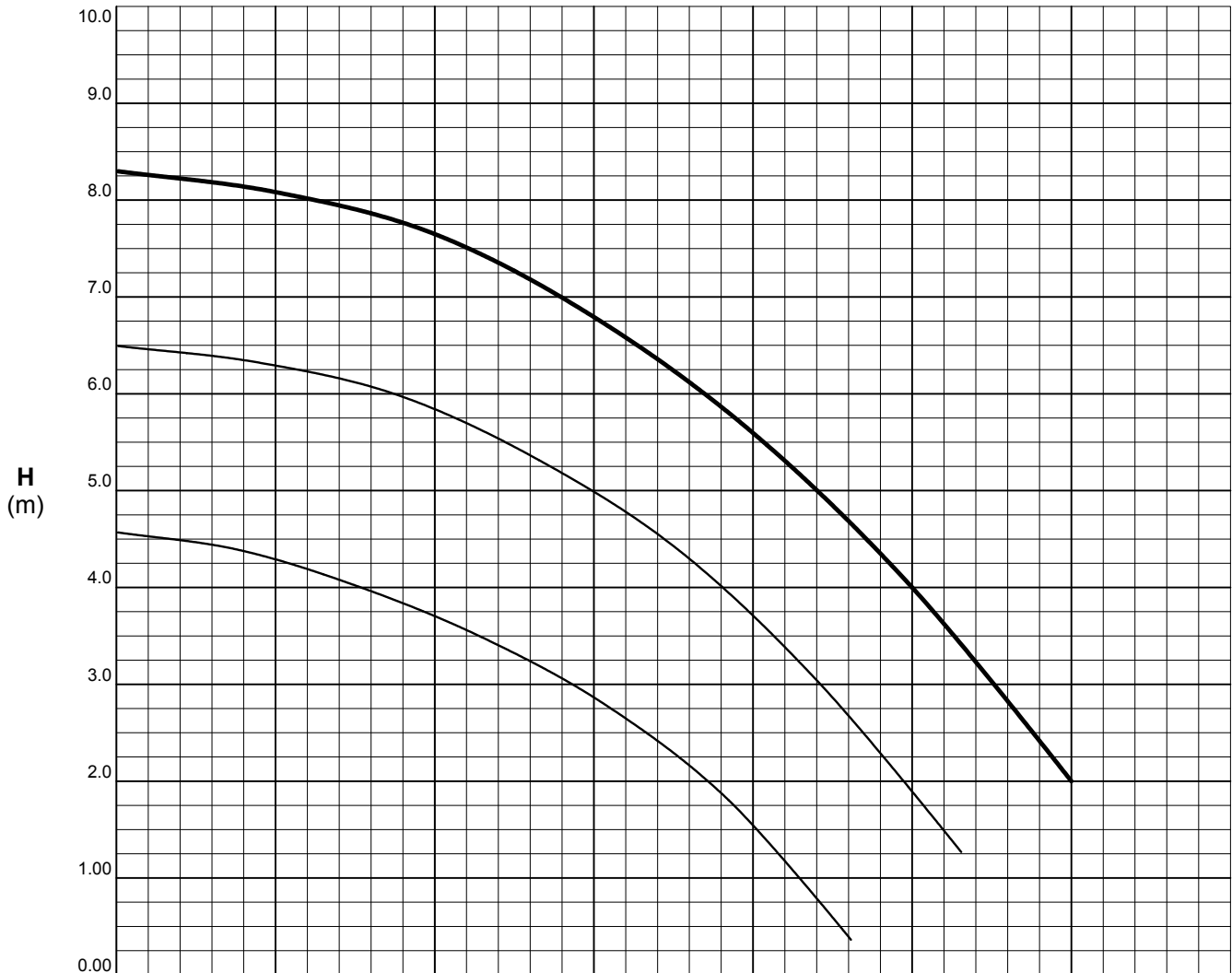
DATA 25/03/2004 DIS. AS

Motor frame B3/B5 IEC 71

kW 0.37 - 0.55

Magnetic loss included

Dati richiesti Duty point Données contrac.	Q: *** (m3/h) Np: *** (KW)	H: *** (metri) Nm: *** (KW)	n: 2 poles Hz: 50 Hz
--	-------------------------------	--------------------------------	-------------------------



:Portata Q :Capacity :Debit	:Prev. man. tot. H :Total man. head :Hauteur manom. tot.	:Potenza ass. pompa Np :Pump absorbed power :Puissance abs. pompe	:Potenza nom. motore Nm :Motor nominal power :Puissance nom. moteur	:Giri/min n :R.P.M. :Tours/min	:Rendimento pompa η :Pump efficiency :Rendement pompe	:Peso spec.(kg/dm3) γ :Specific gravity :Poids spécifique
--	---	--	--	---	--	--

Tolleranze - Tolerances - Tolerances : Standard ISO 2548 Cl. C app. B



POMPA TIPO
PUMP TYPE
POMPE TYPE

SDM 2,5x10

CURVA N. **CSD2AA2A**

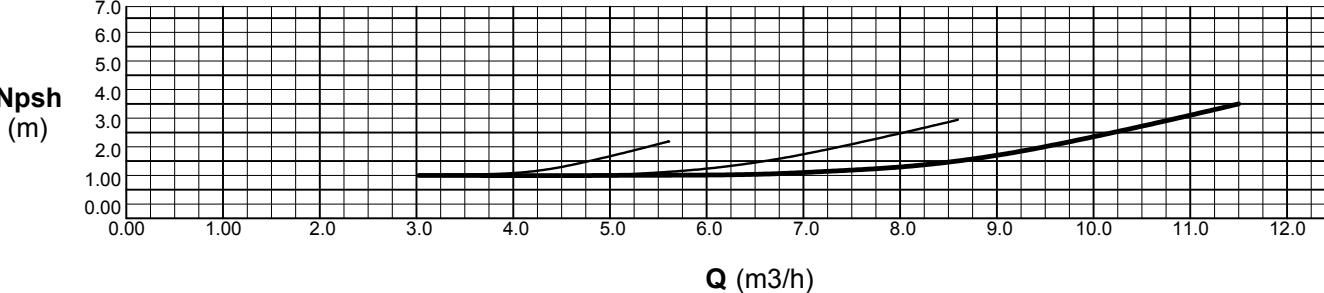
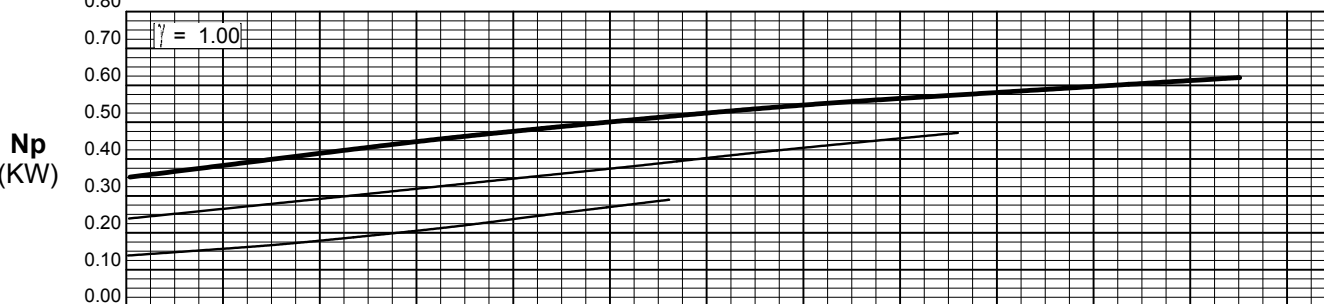
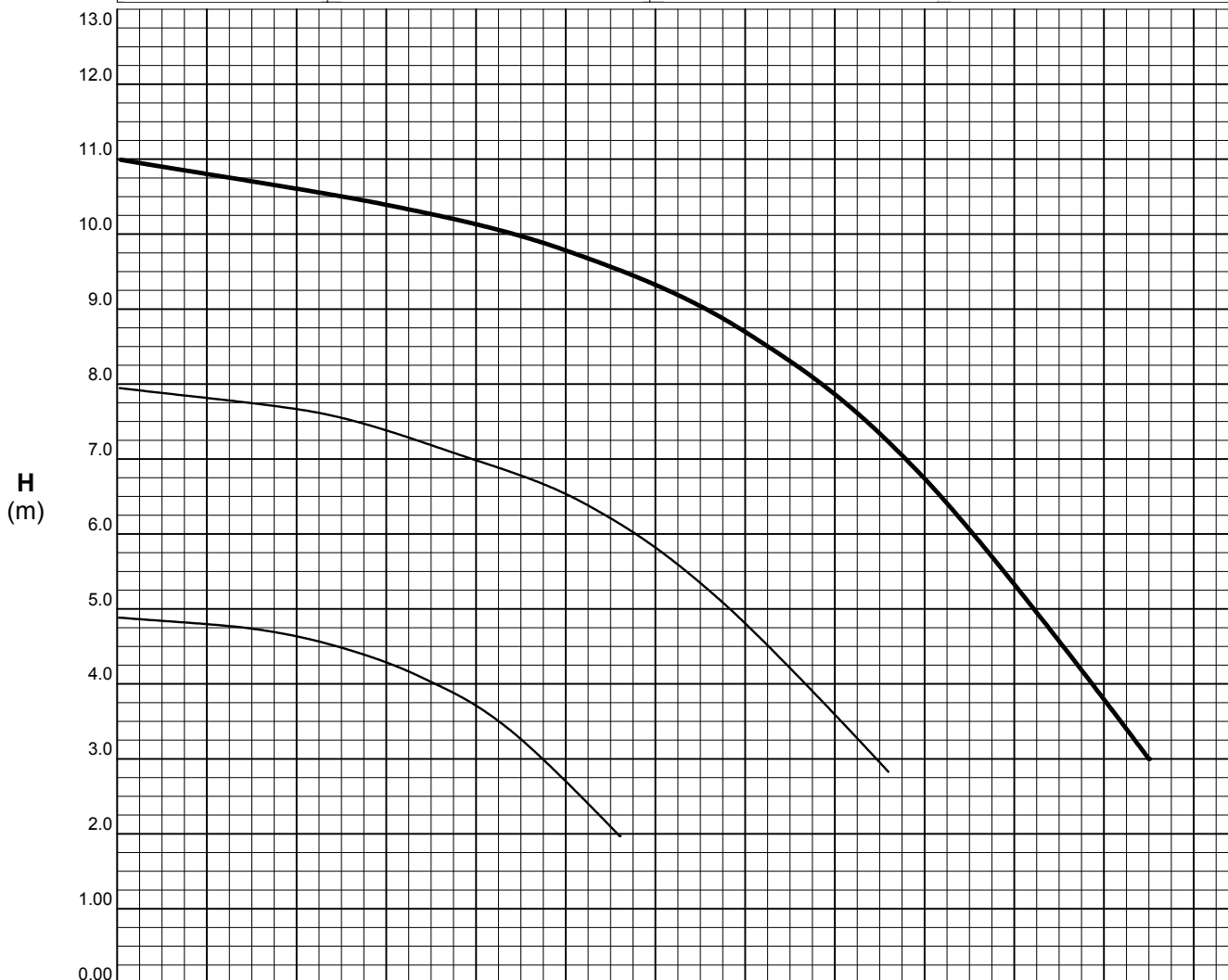
DATA 07/06/2004 DIS.

Motor frame B3/B5 IEC 71 - 80

kW 1.1

Magnetic loss included

Dati richiesti Duty point Données contrac.	Q: *** (m3/h)	H: *** (metri)	n: 2 poles
	Np: *** (KW)	Nm: *** (KW)	Hz: 50



Q:Capacity :Debit	H:Total man. head :Hauteur manom. tot.	Np:Pump absorbed power :Puissance abs. pompe	Nm:Motor nominal power :Puissance nom. moteur	n:R.P.M. :Tours/min	η :Pump efficiency :Rendement pompe	γ :Peso spec.(kg/dm3) :Specific gravity :Poids spécifique
----------------------	---	---	--	------------------------	---	--

Tolleranze - Tolerances - Tolerances : Standard ISO 2548 Cl. C app. B



POMPA TIPO
PUMP TYPE
POMPE TYPE

SDM 3x12

CURVA N.
CSD3AA2A

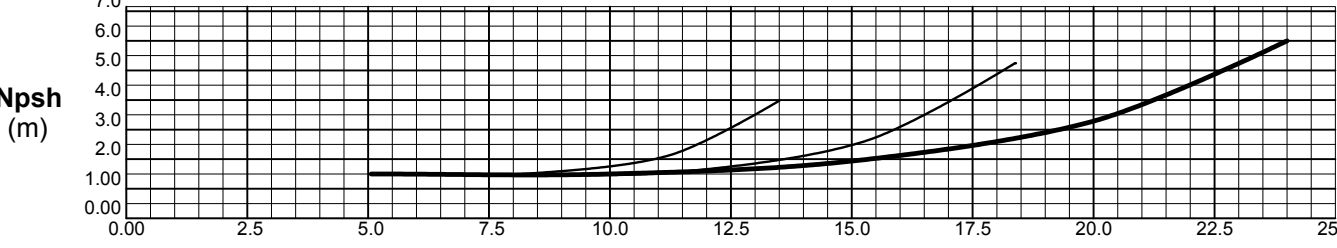
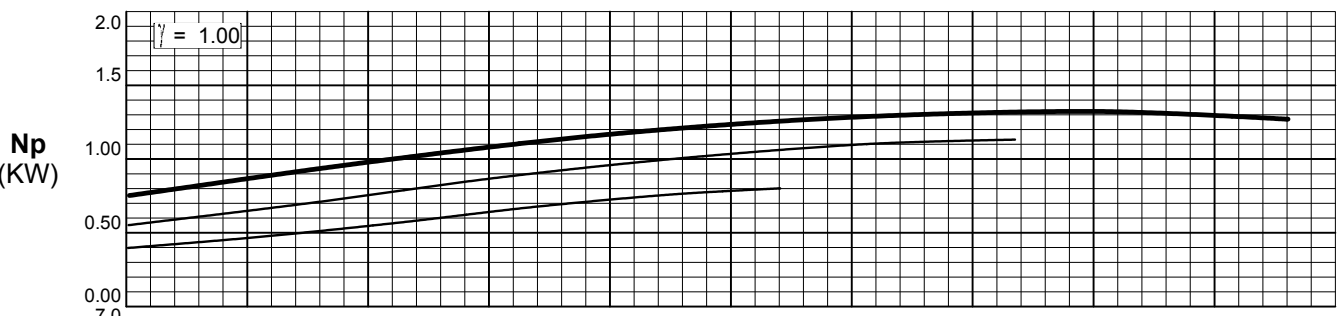
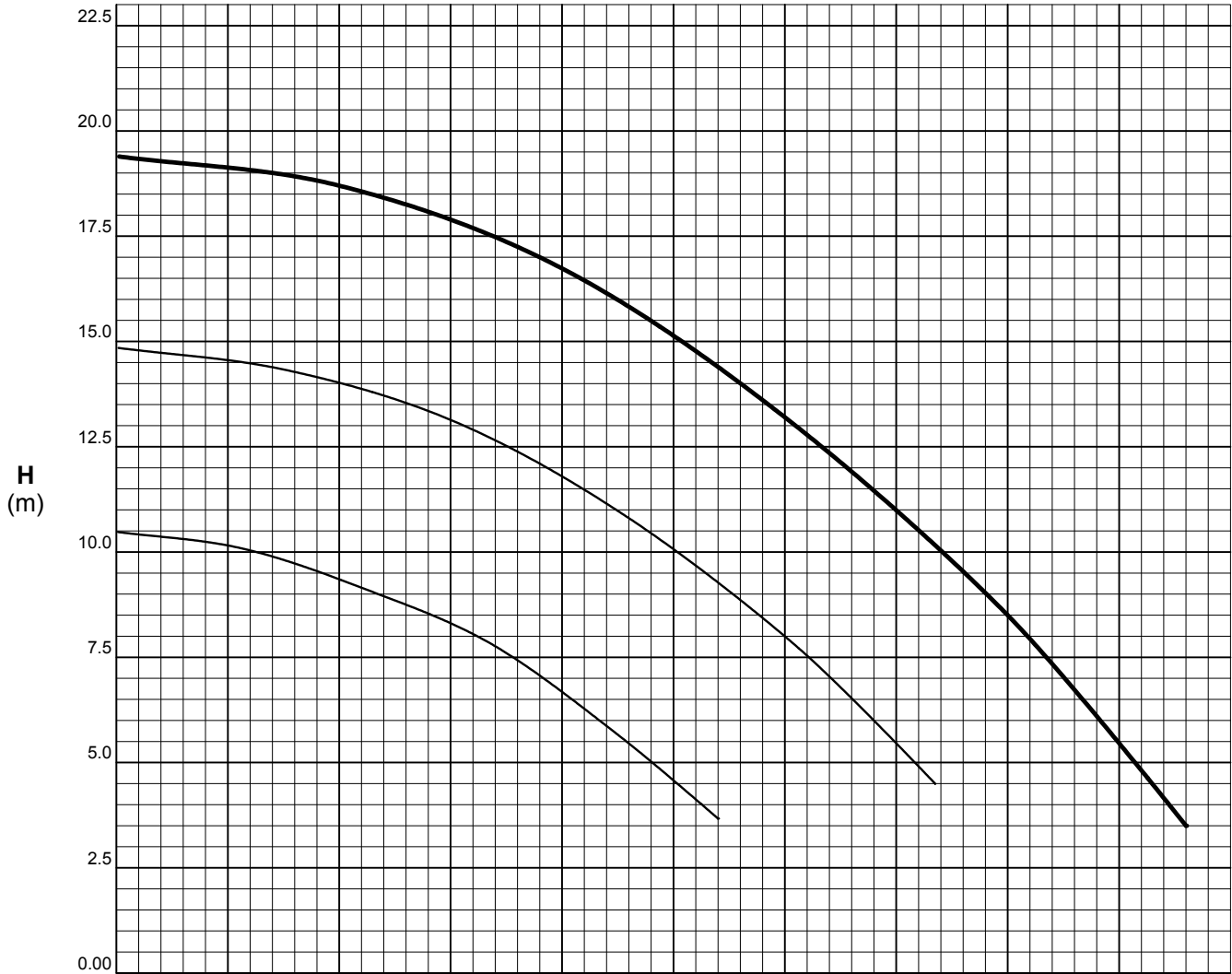
DATA 08/06/2004 DIS.

Mot.B3/B5 IEC 90

KW 1.5 - 2.2

Magnetic loss included

Dati richiesti Duty point Données contrac.	Q: *** (m3/h) Np: *** (KW)	H: *** (metri) Nm: *** (KW)	n: 2 poles Hz: 50
--	-------------------------------	--------------------------------	----------------------



:Portata Q :Capacity :Debit	:Prev. man. tot. H :Total man. head :Hauteur manom. tot.	:Potenza ass. pompa Np :Pump absorbed power :Puissance abs. pompe	:Potenza nom. motore Nm :Motor nominal power :Puissance nom. moteur	:Giri/min n :R.P.M. :Tours/min	:Rendimento pompa η :Pump efficiency :Rendement pompe	:Peso spec.(kg/dm3) γ :Specific gravity :Poids spécifique
--	---	--	--	---	--	--

Tolleranze - Tolerances - Tolerances : Standard ISO 2548 Cl. C app. B



POMPA TIPO
PUMP TYPE
POMPE TYPE

SDM 4x14

CURVA N.
CSD4AA2A

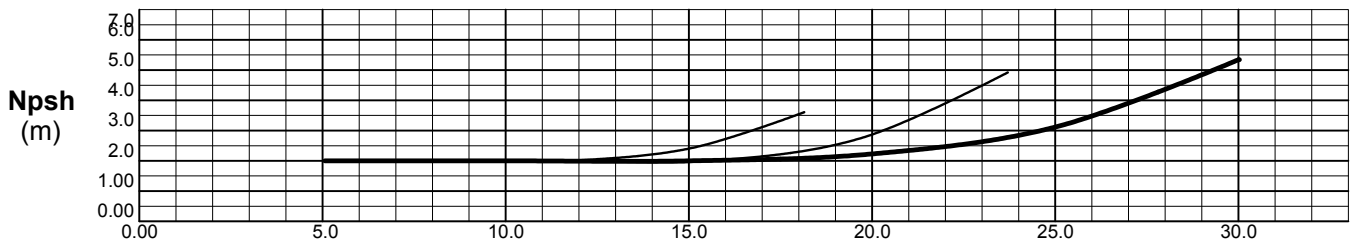
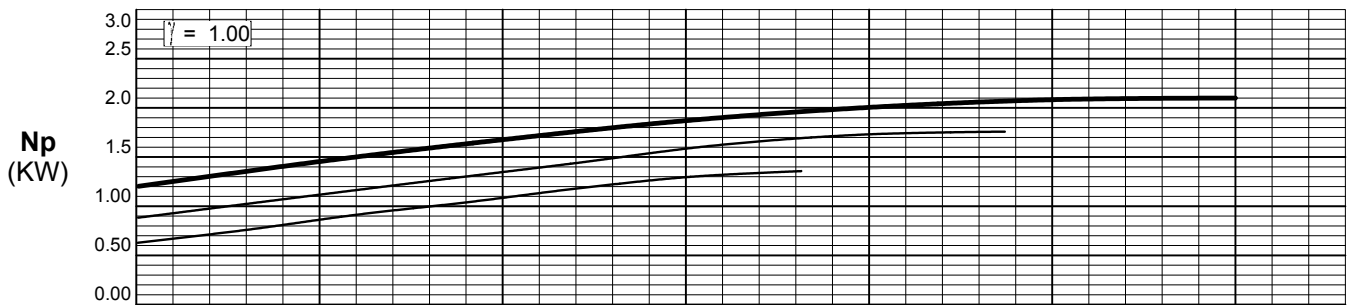
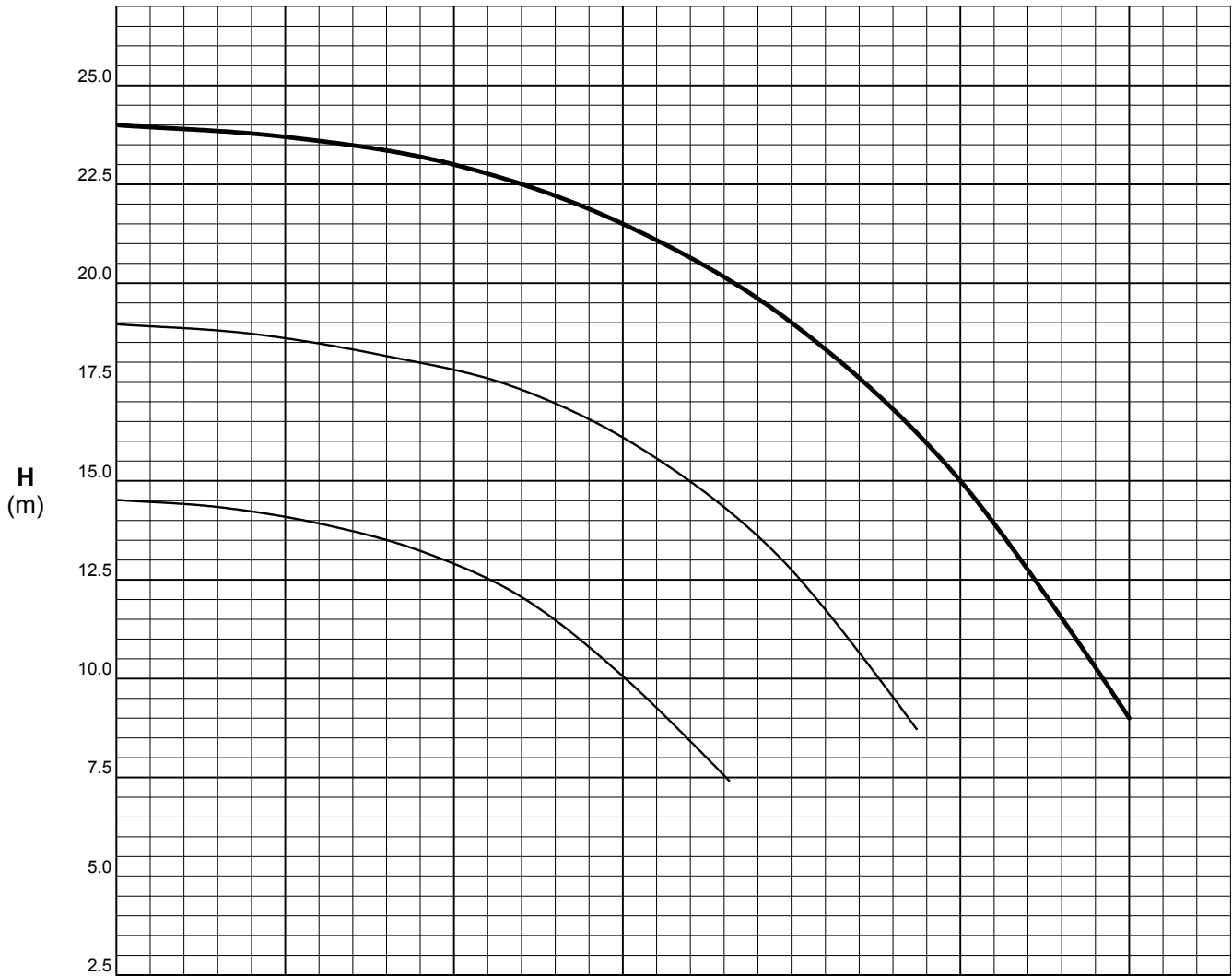
DATA 07/06/2004 DIS.

Motor frame B3/B5 IEC 90-100-112

kW 2.2 - 3 - 4

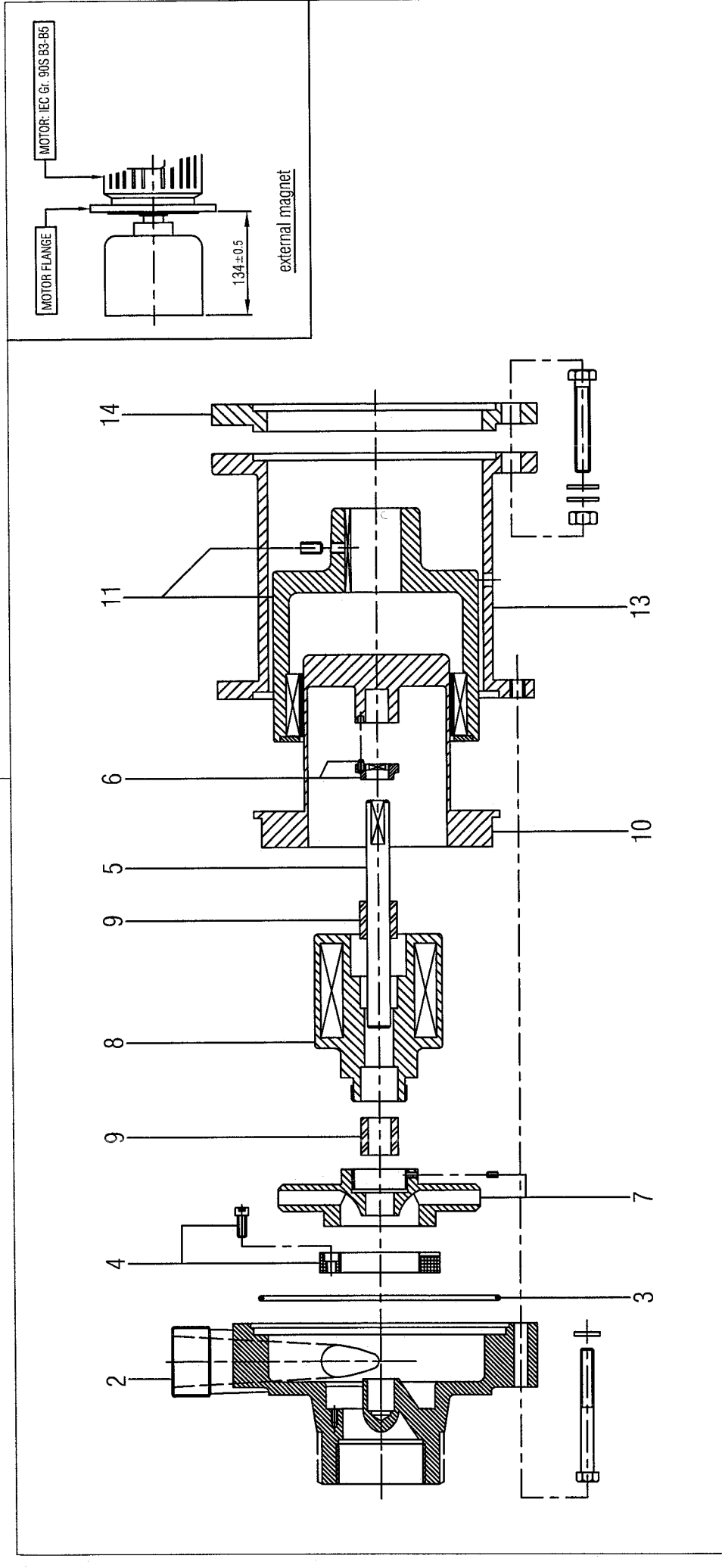
Magnetic loss included

Dati richiesti Duty point Données contrac.	Q: *** (m3/h) Np: *** (KW)	H: *** (metri) Nm: *** (KW)	n: 2 poles Hz: 50
--	-------------------------------	--------------------------------	----------------------



:Portata Q :Capacity :Debit	:Prev. man. tot. H :Total man. head :Hauteur manom. tot.	:Potenza ass. pompa Np :Pump absorbed power :Puissance abs. pompe	:Potenza nom. motore Nm :Motor nominal power :Puissance nom. moteur	:Giri/min n :R.P.M. :Tours/min	:Rendimento pompa η :Pump efficiency :Rendement pompe	:Peso spec.(kg/dm3) γ :Specific gravity :Poids spécifique
--	---	--	--	---	--	--

Tolleranze - Tolerances - Tolerances : Standard ISO 2548 Cl. C app. B



REF	DESCRIPTION	MATERIAL	CODE	REF	DESCRIPTION	MATERIAL	CODE
2	Pump Head (incl. of 4)	SS316		9	Sleeve Bearings	PTFEC	
3	O-Ring 6600 (361)	Viton		10	Rear Casing	SS316	
4	Casing Thr. Bushing (incl. of screws)	PTFEC SS316		11	Ext. Magnet	Neodym./Steel	
5	Shaft	SS316		13	Bracket (incl. of 14)	Cast Iron	
6	Ring (incl. of pins)	SS316 SS316		14	Motor Adaptor Flange (200-130-24)	Steel	
7	Impeller (incl. of screw)	SS316 SS316		15	Rear Wet End (3+5+6+7+8+9+10)	/	
8	Int. Magnet (incl. of 9)	SS316/CoSm		16	Wet End (2+3+4+5+6+7+8+9+10)	/	

Pump code

INDICE MODIFICA INDEX	MODIFICA MODIFY N.	DESCRIZIONE MODIFICA DESCRIPTION OF THE MODIFICATION	DESIGNATO DRAWN BY	CONTROLLATO CHECKED BY	APPROVATO APPROVED BY	DATA DATE
QUOTE SENZA TOLLERANZA DIMENSIONS WITHOUT TOLERANCE	J613	SCALE	DESIGNAZIONE DESIGNATION	DECATO DA EXTRACTED FROM	TATTAMENTO TECNICO/O SUPERFICIALE TECH. AND/OR SURFACE TREATMENT	
GRADO DI PRESSIONE PRESSURE RATING	2768	UNITA' DI MISURA UNIT OF MEASUREMENT	DATA DATE			
SECONDO UN ISO STANDARD		DATA DATE	N. MODELLO N. PATTERNO		PESO GREZZO RAW WEIGHT	
SOSTITUISCE IL SOSTITUISCE IL SOSTITUISCE IL		DATA DATE	N. MASCHERA N. MASK		PESO LAVORATO MACHINED WEIGHT	
DESIGNATO DRAWN BY	CONTROLLATO CHECKED BY	APPROVATO APPROVED BY	DESIGNAZIONE DESIGNATION			
V.D.	V.D.	G.G.	FORMATO SIZE			
09.02.04	09.02.04		DIS. TIPO Dwg. TYPE			
			CAD	A3	SDM 3x12	
DESIGNAZIONE SUBJECT			DISEGNO ESPLOSO			
DWG. N.			ESD3A01			
REV.			B			



VIETATA LA COPIA LA RIPRODUZIONE E LA TRASMISSIONE IN TUTTE LE FORME E PER QUALSIASI MOTIVO. LA RIPRODUZIONE E LA TRASMISSIONE IN TUTTE LE FORME E PER QUALSIASI MOTIVO E' PROIBITA.

