

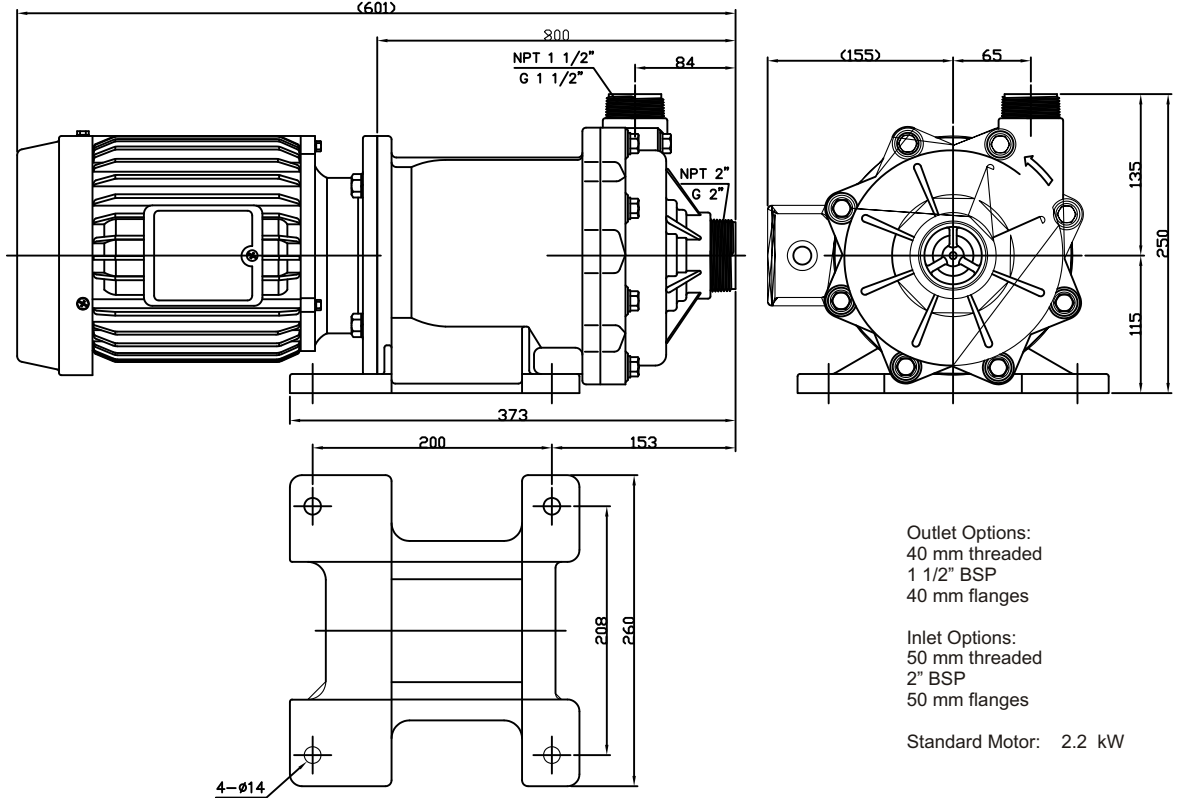


# PW-9P-MD

## DIMENSIONAL SCHEMATIC AND PERFORMANCE

### DIMENSIONS mm

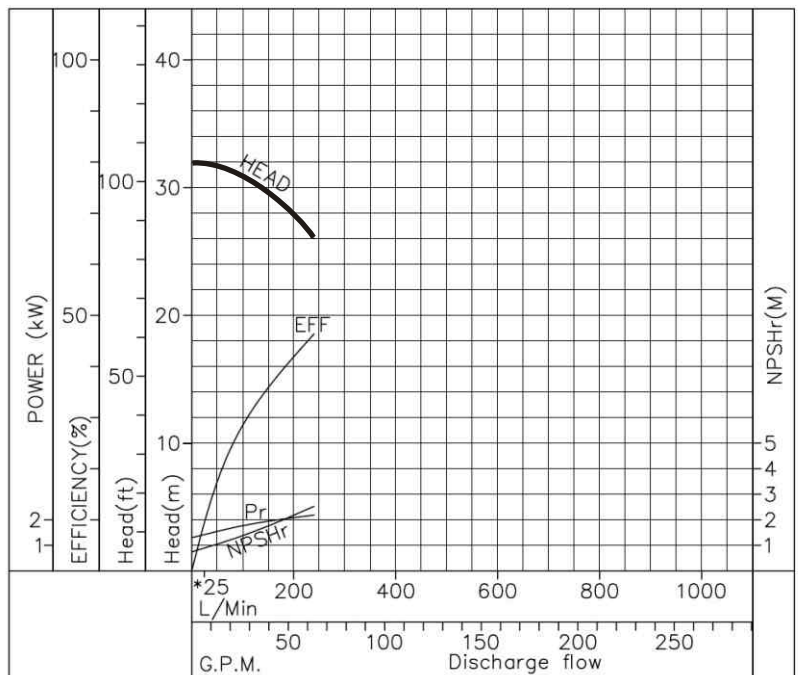
not to scale  
specifications are subject to change



Details may change depending upon the motor specified

### PERFORMANCE

Tests obtained  
50 hz 2860 rpm  
1.0 SG  
160 mm impeller



Performance may change depending upon the motor specified