

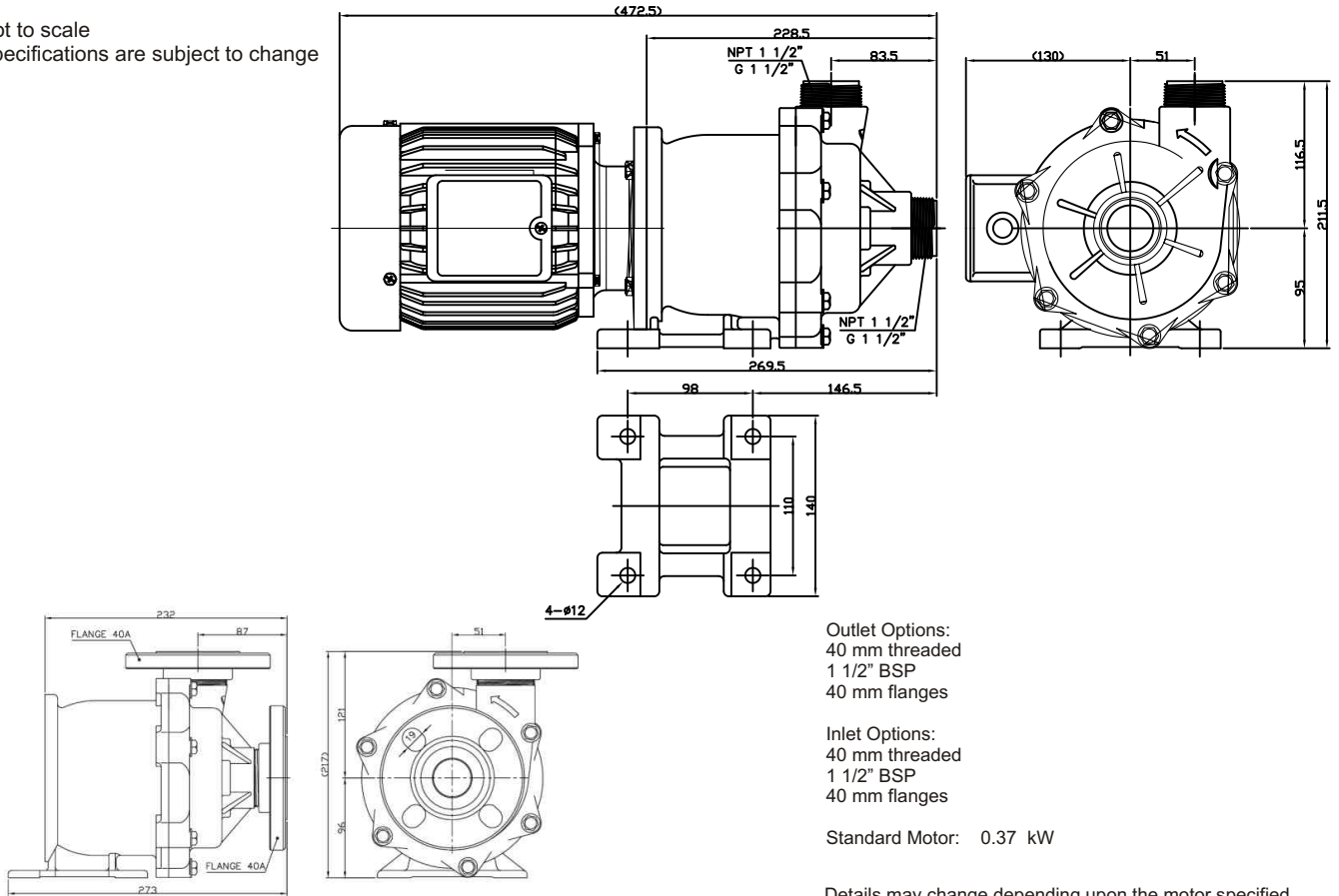


PW-7P-MD sg 1.5

DIMENSIONAL SCHEMATIC AND PERFORMANCE

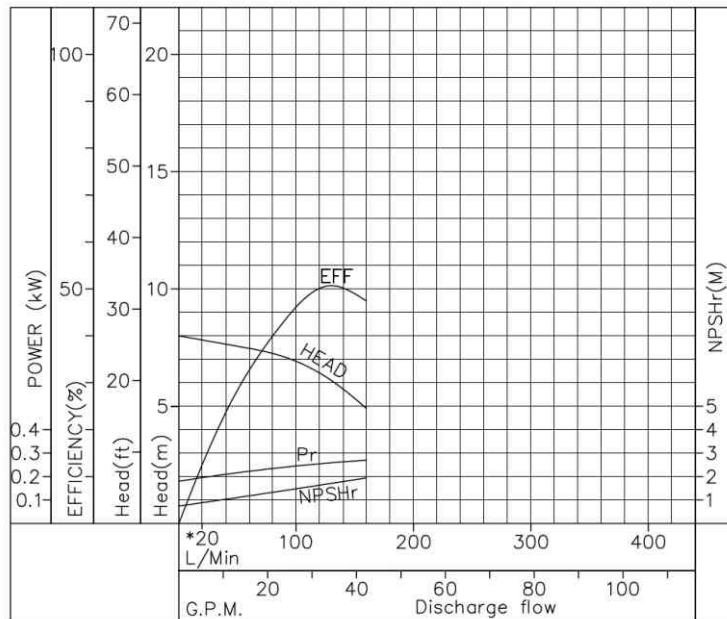
DIMENSIONS mm

not to scale
specifications are subject to change



PERFORMANCE

Tests obtained
50 hz 2860 rpm
— 1.5 SG
89 mm impeller



Performance may change depending upon the motor specified