

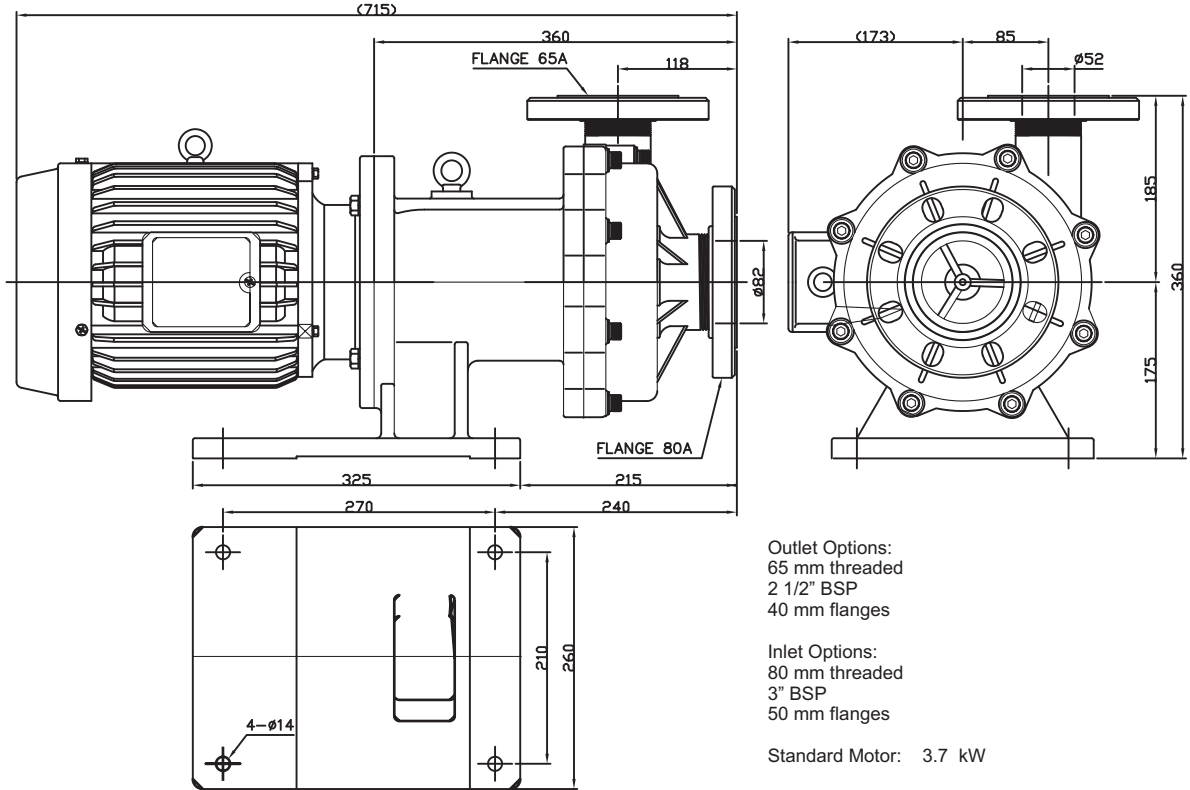


PW-11P-MD

DIMENSIONAL SCHEMATIC AND PERFORMANCE

DIMENSIONS mm

not to scale
specifications are subject to change



Outlet Options:
65 mm threaded
2 1/2" BSP
40 mm flanges

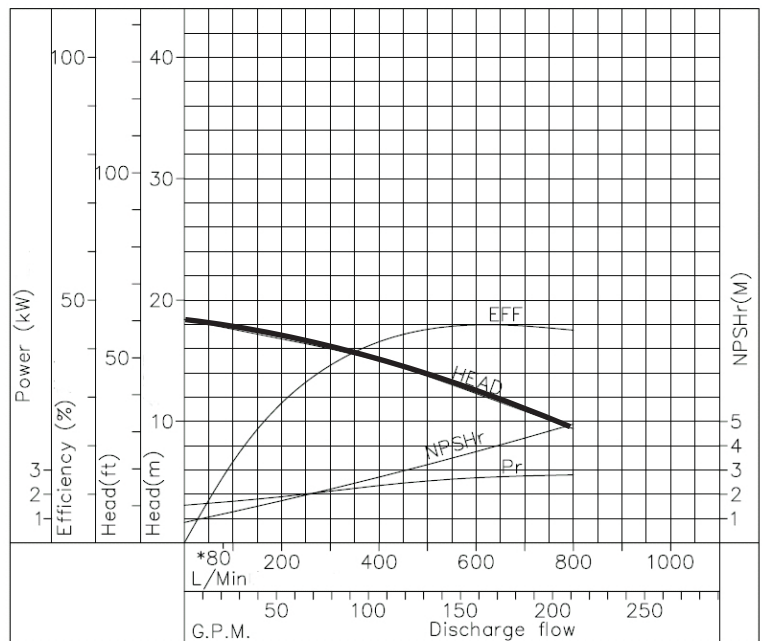
Inlet Options:
80 mm threaded
3" BSP
50 mm flanges

Standard Motor: 3.7 kW

Details may change depending upon the motor specified

PERFORMANCE

Tests obtained
50 hz 2860 rpm
— 1.3 SG
123mm impeller



Performance may change depending upon the motor specified