

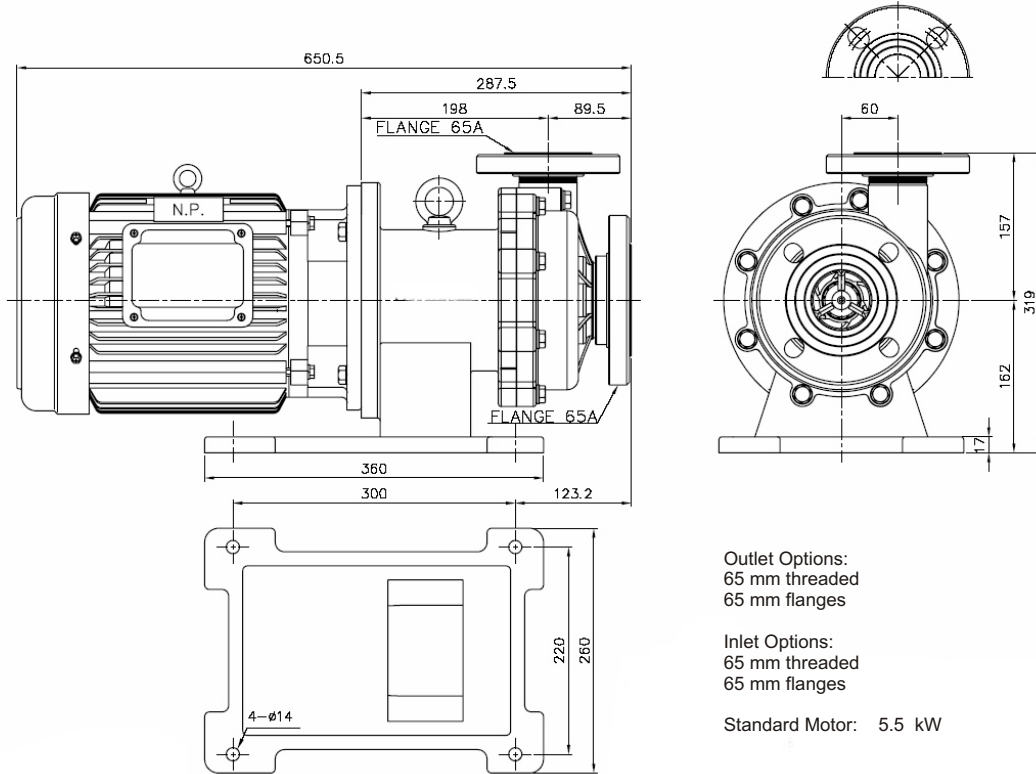


PW-11.5P-MD sg 1.1

DIMENSIONAL SCHEMATIC AND PERFORMANCE

DIMENSIONS mm

not to scale
specifications are subject to change



Outlet Options:
65 mm threaded
65 mm flanges

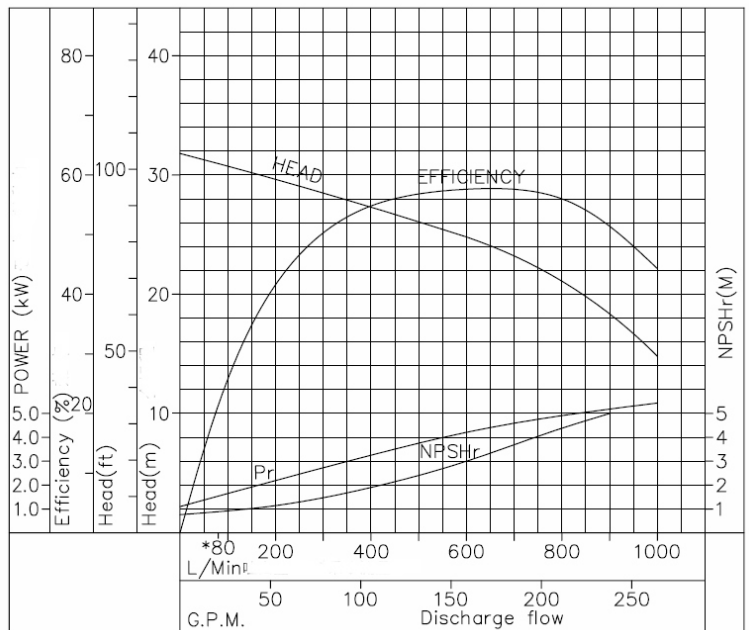
Inlet Options:
65 mm threaded
65 mm flanges

Standard Motor: 5.5 kW

Details may change depending upon the motor specified

PERFORMANCE

Tests obtained
50 hz 2860 rpm
— 1.1 SG
155 mm dia impeller



Performance may change depending upon the motor specified