

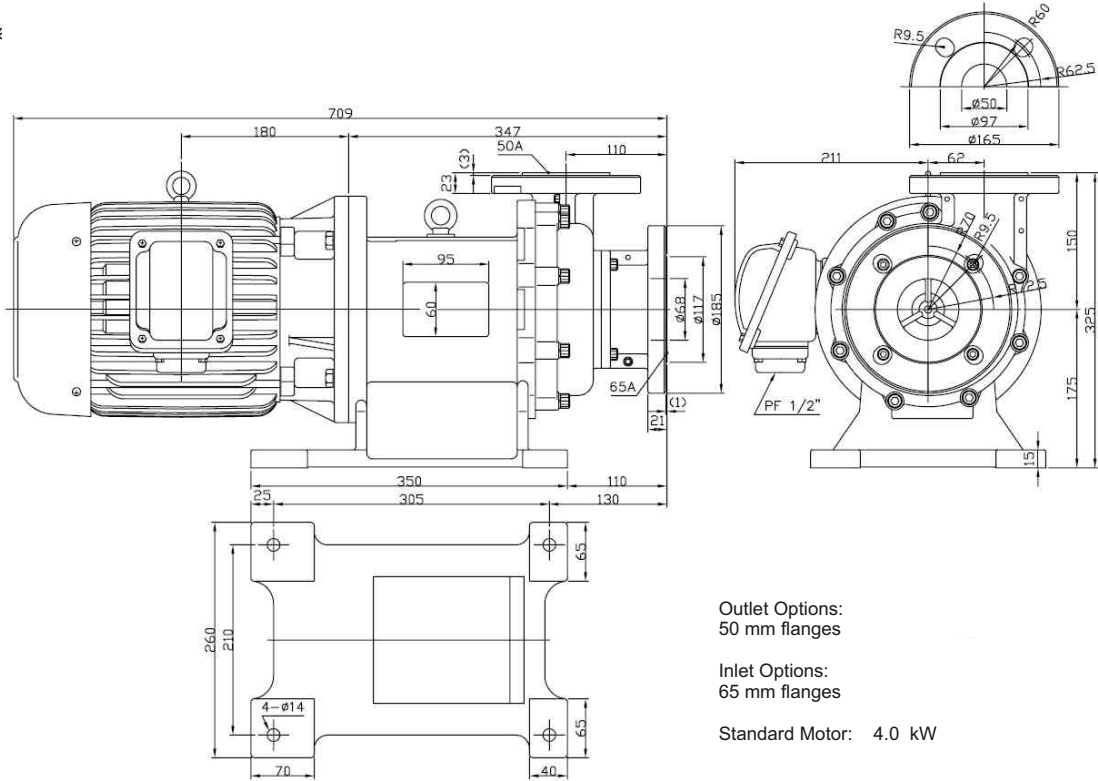


PW-10.5C-MD

DIMENSIONAL SCHEMATIC AND PERFORMANCE

DIMENSIONS mm

not to scale
specifications :

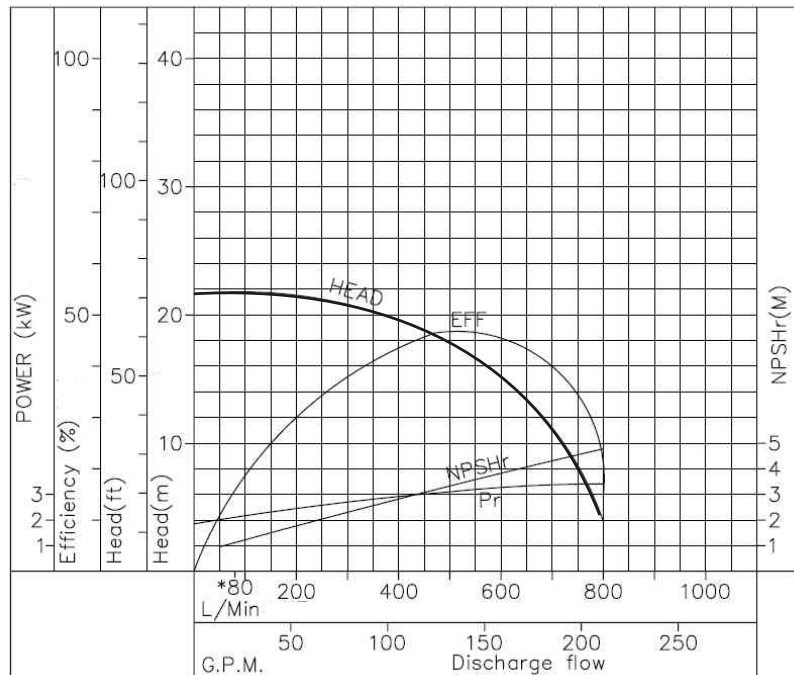


505-L

Details may change depending upon the motor specified

PERFORMANCE

Tests obtained
50 hz 2860 rpm
— 1.2 SG
130mm dia impeller



Performance may change depending upon the motor specified