

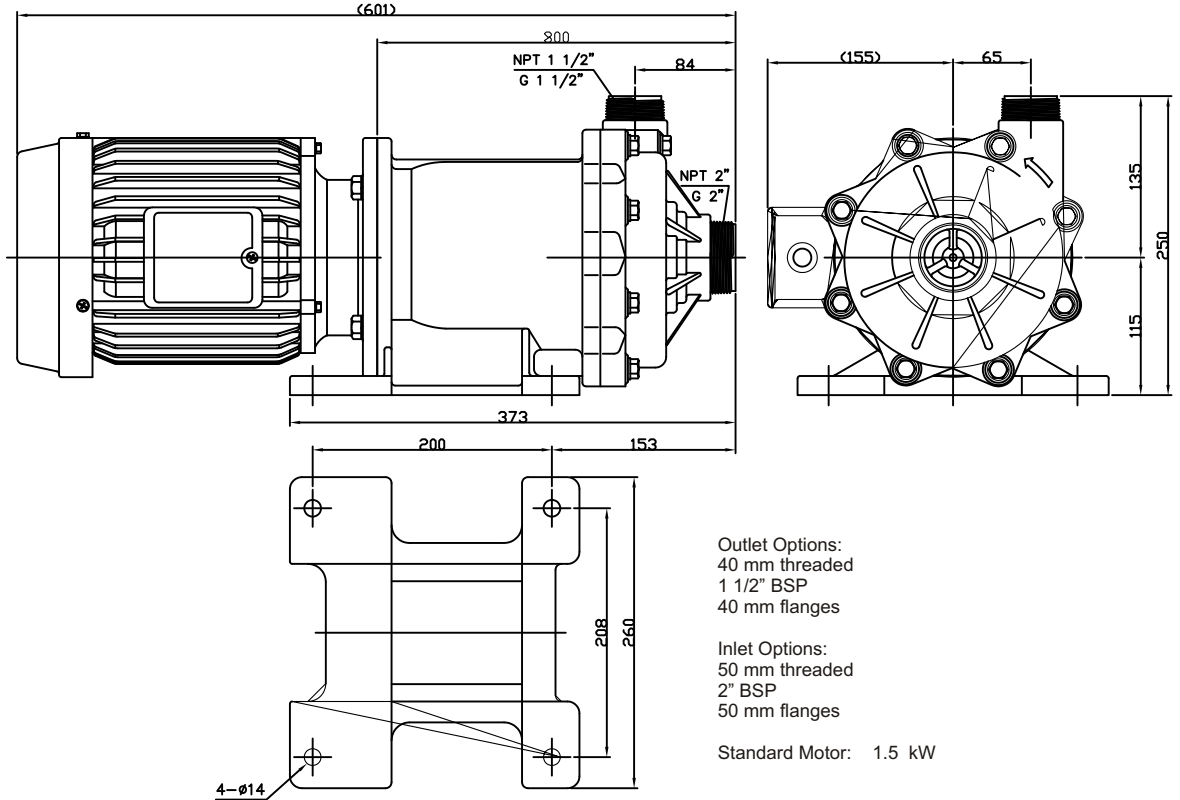


# PW-8E-MD

## DIMENSIONAL SCHEMATIC AND PERFORMANCE

### DIMENSIONS mm

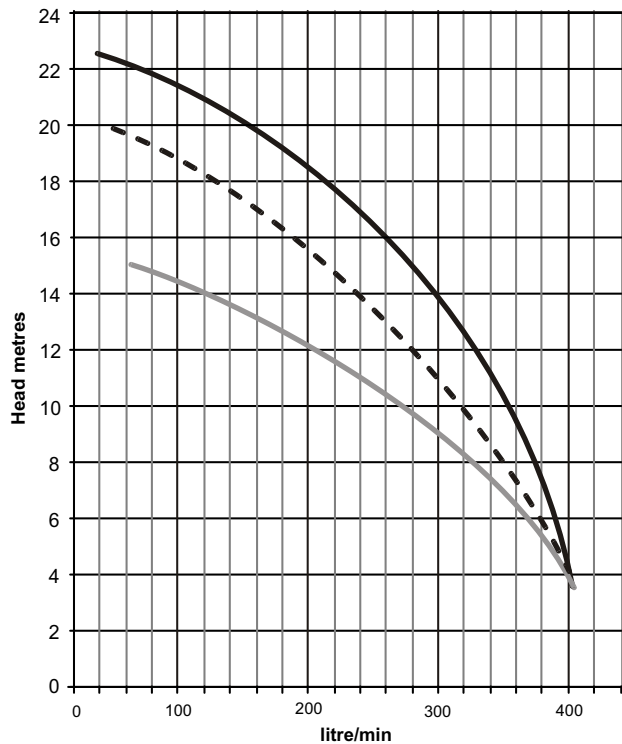
not to scale  
specifications are subject to change



Details may change depending upon the motor specified

### PERFORMANCE

Tests obtained  
50 hz 2860 rpm  
— 1.2 SG  
- - 1.5 SG  
— 1.9 SG



Performance may change depending upon the motor specified