

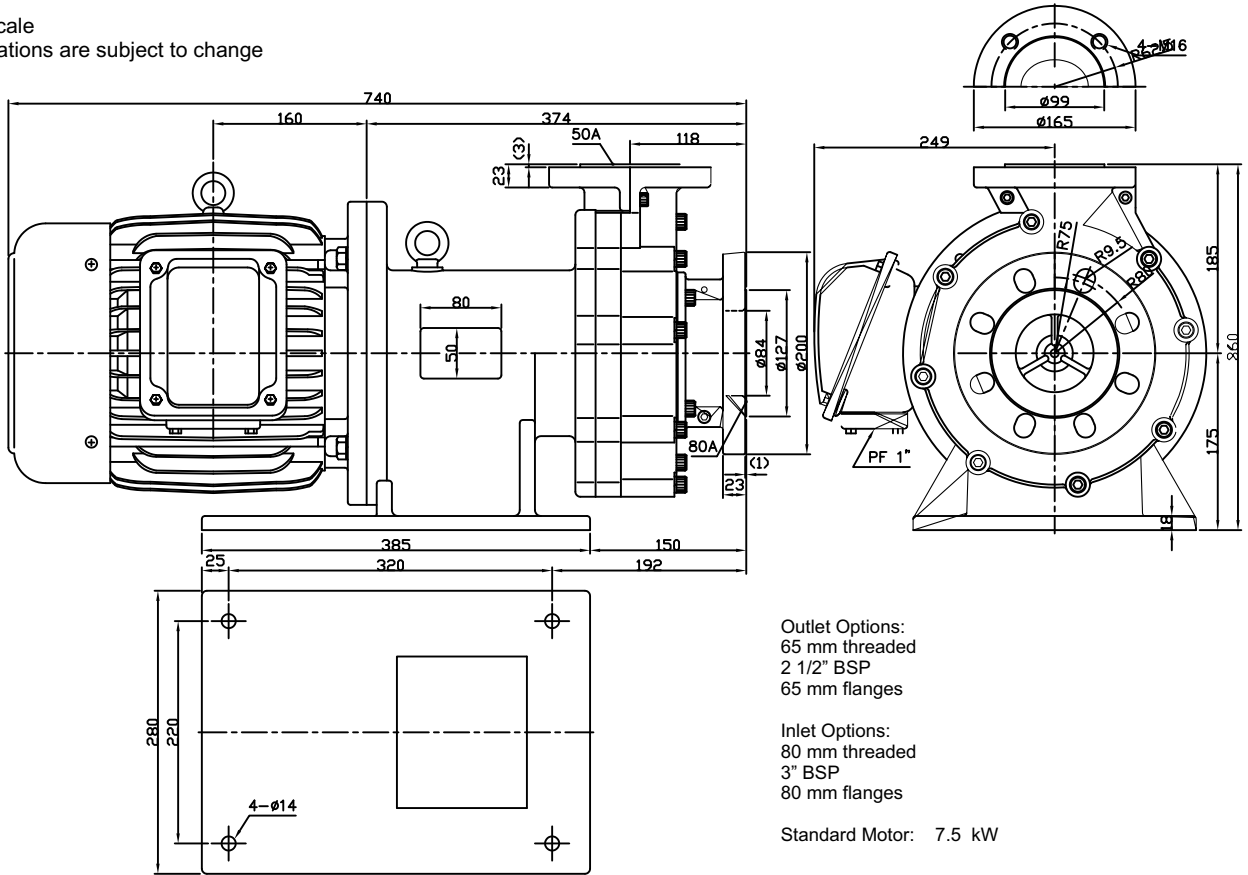


PW-13P-MD

DIMENSIONAL SCHEMATIC AND PERFORMANCE

DIMENSIONS mm

not to scale
specifications are subject to change



Outlet Options:
65 mm threaded
2 1/2" BSP
65 mm flanges

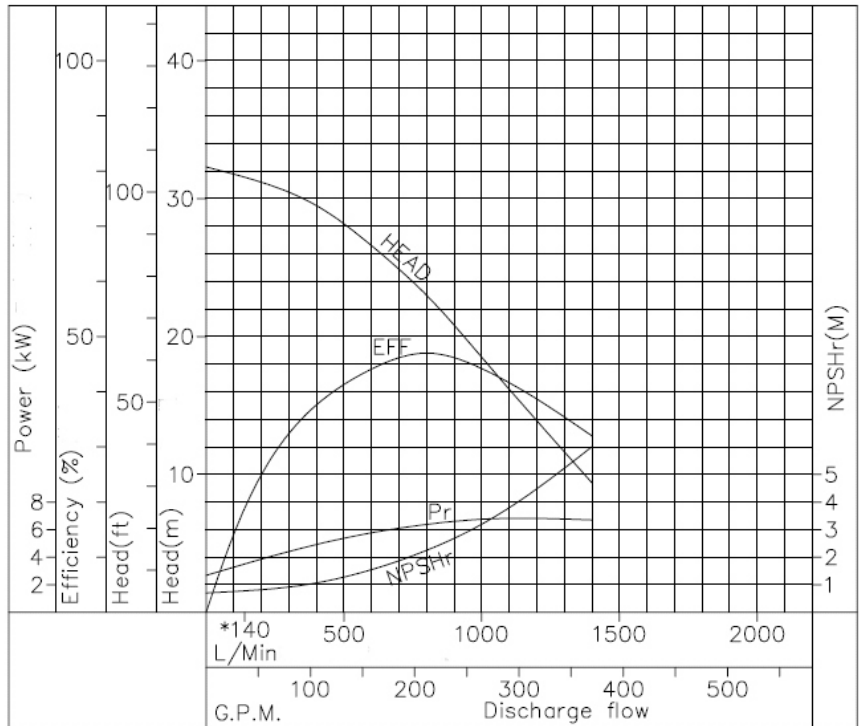
Inlet Options:
80 mm threaded
3" BSP
80 mm flanges

Standard Motor: 7.5 kW

Details may change depending upon the motor specified

PERFORMANCE

Tests obtained
50 hz 2860 rpm
1.1 SG



Performance may change depending upon the motor specified