

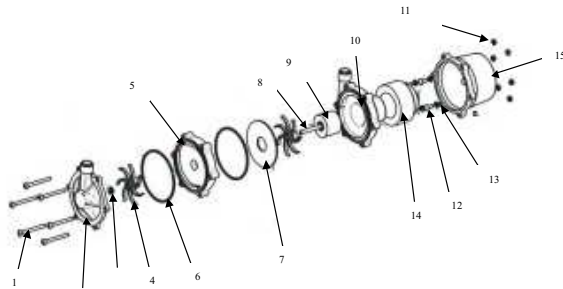


MSP-4 & MS 26/14

01/01/2011

DIMENSIONAL SCHEMATIC, PERFORMANCE AND PARTS

PARTS LIST



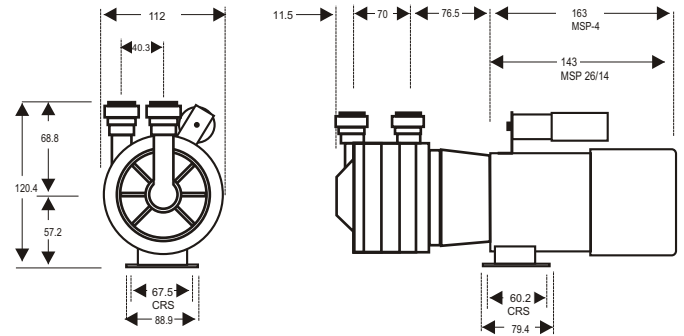
ITEM DESCRIPTION	NOS	CODE	PRICE
MSP-4			
1 M5 x 90 Pozl Pan Screw St Stl Set	6	5020-213-50	£ 1.68
2 MSP Front Cover PP JG	1	5020-110-01	£ 14.94
MSP Front Cover PP 1/2" NPTM	1	5020-111-01	£ 11.45
MSP Front Cover PP 3/4" BSPM	1	5020-112-01	£ 11.45
3 Washer Thrust Ceramic	1	0130-028-UK	£ 5.22
4 O Ring Id 87, 3mm C/Sec Nitrile	4	5020-122-30	£ 1.38
5 Impeller PPS	4	5021-130-08N	£ 5.12
6 Stage Housing	3	5020-150-01	£ 10.83
7 Backing Plate	3	5020-160-13	£ 10.17
9 Impeller magnet PPS	1	5021-191-08	£ 28.61
8 Spindle St Stl 114mm	1	5021-233-51	£ 18.08
10 MSP Pump Housing PP JG	1	5020-140-01	£ 14.39
MSP Pump Housing PP 1/2"NPTM	1	5020-141-01	£ 10.89
MSP Pump Housing PP 3/4"BSPM	1	5020-142-01	£ 10.89
11 Full Nut M5 St Stl Set	6	5021-180-50	£ 1.08
14 Drive Magnet	1	5021-204-56	£ 71.55
12 Screw M5 x 12 Pozl Pan St Stl Set	4	5021-2212-50	£ 0.84
13 Washer M5 Shakeproof St Stl Set	4	0135-200-UK	£ 1.48
15 MSP Bracket PP	1	5020-170-01	£ 15.65
Wet End Assembly JG – Items 1-11			£ 172.87
Wet End Assembly 1/2" NPTM – Items 1-11			£ 165.88
Wet End Assembly 3/4" BSPM – Items 1-11			£ 165.88
Pump Head Assembly JG – Items 1-15			£ 262.37
Pump Head Assembly 1/2" NPTM– Items 1-15			£ 255.38
Pump Head Assembly 3/4" BSPM – Items 1-15			£ 255.38

MS 26/14

1 M5 x 90 Pozl Pan Screw St Stl Set	6	5020-213-50	£ 1.68
2 MS Front Cover PP JG	1	5020-110-01	£ 14.94
MS Front Cover PP 1/2" NPTM	1	5020-111-01	£ 11.45
MS Front Cover PP 3/4" BSPM	1	5020-112-01	£ 11.45
3 Washer Thrust Ceramic	1	0130-028-UK	£ 5.22
4 Impeller PPS	4	5021-130-08N	£ 5.12
5 O Ring Viton	4	5020-122-31	£ 5.90
6 Stage Housing PP	3	5020-150-01	£ 10.83
7 Backing Plate	3	5020-160-13	£ 10.20
8 Spindle St/Stl 114mm	1	5021-233-51	£ 18.08
9 Impeller magnet	1	5021-191-22	£ 76.31
10 Pump Housing PP JG	1	5020-140-01	£ 14.39
Pump Housing PP 1/2"NPTM	1	5020-141-01	£ 10.89
Pump Housing PP 3/4"BSPM	1	5020-142-01	£ 10.89
11 Full Nut M5 St Stl Set	6	5021-180-50	£ 1.08
12 Screw M5 x 12 Pozl Pan St Stl Set	4	5021-2212-50	£ 0.84
13 Washer M5 Shakeproof St Stl Set	4	0135-200-UK	£ 1.48
14 Drive Magnet Assm	1	5021-204-56/9	£ 40.05
15 Bracket PP	1	5020-170-01	£ 15.65
16 Socket Set Screw M5x6 St Stl	1	5021-500-56	£ 0.23
Wet End Assembly JG – Items 1-11			£ 238.56
Wet End Assembly 1/2" NPTM – Items 1-11			£ 231.57
Wet End Assembly 3/4" BSPM – Items 1-11			£ 231.57
Pump Head Assembly JG – Items 1-16			£ 296.79
Pump Head Assembly 1/2" NPTM– Items 1-16			£ 289.80
Pump Head Assembly 3/4" BSPM – Items 1-16			£ 289.80

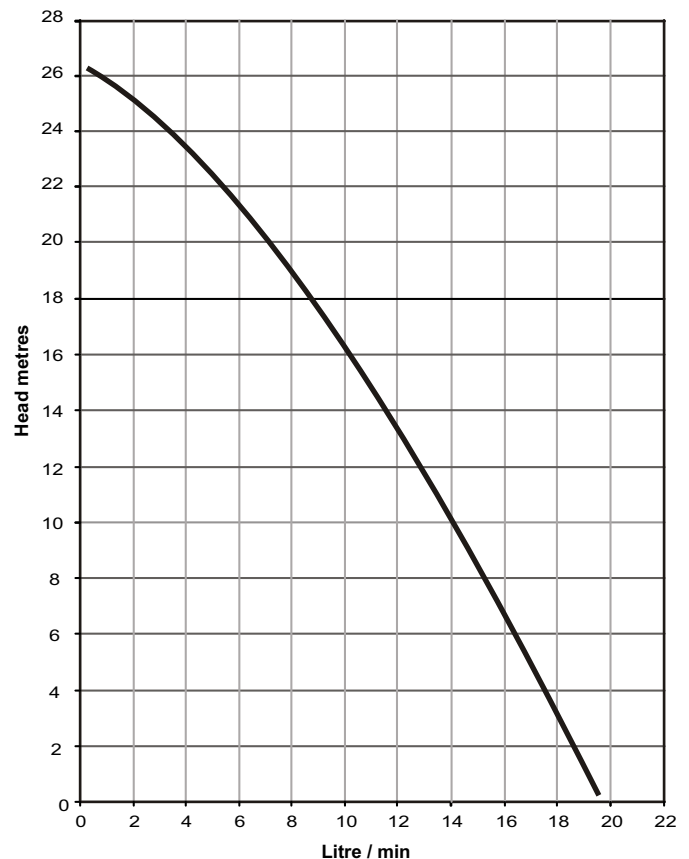
DIMENSIONS mm

not to scale specifications are subject to change



Details may change depending upon the motor specified

PERFORMANCE



Tests obtained with water 1.0 SG

— 50 hz 2900 rpm