

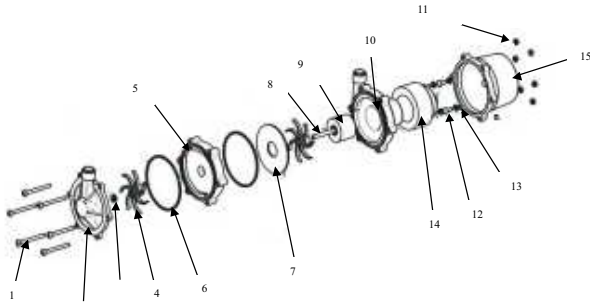


MSP-3 & MS 20/13

01/01/2011

DIMENSIONAL SCHEMATIC, PERFORMANCE AND PARTS

PARTS LIST

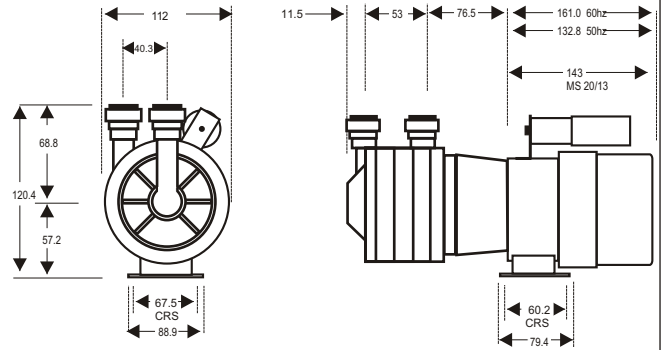


ITEM DESCRIPTION	NOS	CODE	PRICE
MSP-3			
1 M5 x 70 Pozi Pan Screw St Stl Set	6	5020-212-50	£ 1.38
2 MSP Front Cover PP JG	1	5020-110-01	£ 14.94
MSP Front Cover PP 1/2" NPTM	1	5020-111-01	£ 11.45
MSP Front Cover PP 3/4" BSPM	1	5020-112-01	£ 11.45
3 Washer Thrust Ceramic	1	0130-028-UK	£ 5.22
4 O Ring Id 87, 3mm C/Sec Nitrile	3	5020-122-30	£ 1.38
5 Impeller PPS	3	5021-130-08N	£ 5.12
6 Stage Housing	2	5020-150-01	£ 10.82
7 Backing Plate	2	5020-160-13	£ 10.16
9 Impeller magnet PPS	1	5021-191-08	£ 27.52
8 Spindle St Stl 97mm	1	5021-232-51	£ 15.29
10 MSP Pump Housing PP JG	1	5020-140-01	£ 13.83
MSP Pump Housing PP 1/2"NPTM	1	5020-141-01	£ 10.47
MSP Pump Housing PP 3/4"BSPM	1	5020-142-01	£ 10.47
11 Full Nut M5 St Stl Set	6	5021-180-50	£ 1.08
14 Drive Magnet	1	5021-202-60	£ 41.88
12 Screw M5 x 12 Pozi Pan St Stl Set	4	5021-2212-50	£ 0.84
13 Washer M5 Shakeproof St Stl Set	4	0135-200-UK	£ 1.48
15 MSP Bracket PP	1	5020-170-01	£ 15.05
Wet End Assembly JG – Items 1-11			£ 140.66
Wet End Assembly 1/2" NPTM – Items 1-11			£ 133.80
Wet End Assembly 3/4" BSPM – Items 1-11			£ 133.80
Pump Head Assembly JG – Items 1-15			£ 199.90
Pump Head Assembly 1/2" NPTM – Items 1-15			£ 193.04
Pump Head Assembly 3/4" BSPM – Items 1-15			£ 193.04

MS 20/13			
1 M5 x 70 Pozi Pan Screw St Stl Set	6	5020-212-50	£ 1.38
2 MS Front Cover PP JG	1	5020-110-01	£ 14.94
MS Front Cover PP 1/2" NPTM	1	5020-111-01	£ 11.45
MS Front Cover PP 3/4" BSPM	1	5020-112-01	£ 11.45
3 Washer Thrust Ceramic	1	0130-028-UK	£ 5.22
4 Impeller PPS	3	5021-130-08N	£ 5.12
5 O Ring Viton	3	5020-122-31	£ 5.90
6 Stage Housing PP	2	5020-150-01	£ 10.82
7 Backing Plate	2	5020-160-13	£ 10.18
8 Spindle Ceramic	1	5020-232-70	£ 31.37
9 Impeller magnet	1	5021-191-22	£ 76.31
10 Pump Housing PP JG	1	5020-140-01	£ 14.39
Pump Housing PP 1/2"NPTM	1	5020-141-01	£ 10.89
Pump Housing PP 3/4"BSPM	1	5020-142-01	£ 10.89
11 Full Nut M5 St Stl Set	6	5021-180-50	£ 1.08
12 Screw M5 x 12 Pozi Pan St Stl Set	4	5021-2212-50	£ 0.84
13 Washer M5 Shakeproof St Stl Set	4	0135-200-UK	£ 1.48
14 Drive Magnet Assm	1	5021-203-11	£ 43.56
15 Bracket PP	1	5020-170-01	£ 15.65
16 Socket Set Screw M5x6 St Stl	1	5021-500-56	£ 0.23
Wet End Assembly JG – Items 1-13			£ 222.02
Wet End Assembly 1/2" NPTM – Items 1-13			£ 215.03
Wet End Assembly 3/4" BSPM – Items 1-13			£ 215.03
Pump Head Assembly JG – Items 1-16			£ 281.46
Pump Head Assembly 1/2" NPTM – Items 1-16			£ 274.47
Pump Head Assembly 3/4" BSPM – Items 1-16			£ 274.47

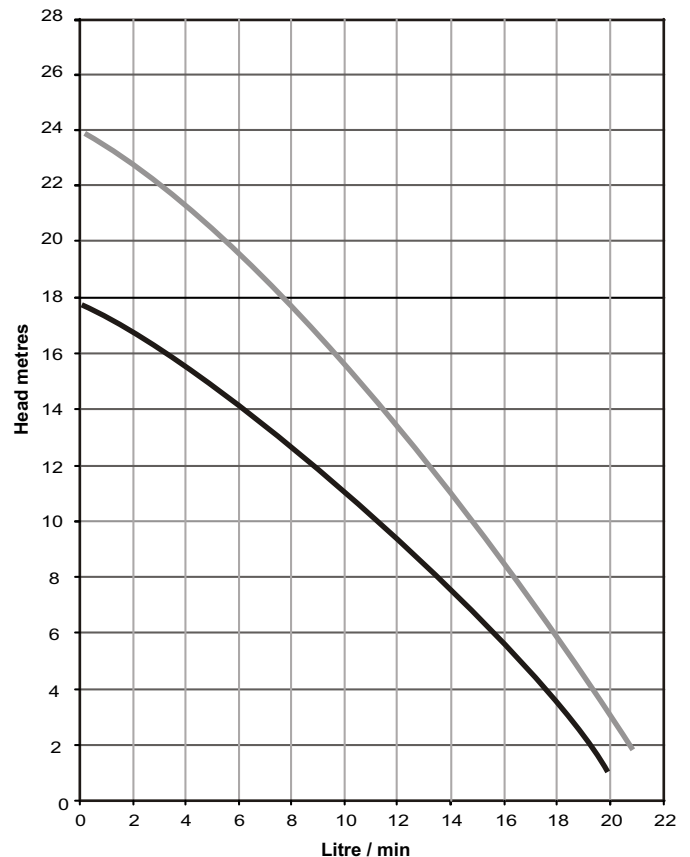
DIMENSIONS mm

not to scale specifications are subject to change



Details may change depending upon the motor specified

PERFORMANCE



Tests obtained with water 1.0 SG
 — 50 Hz 2900 rpm
 — 60 Hz 3400 rpm