



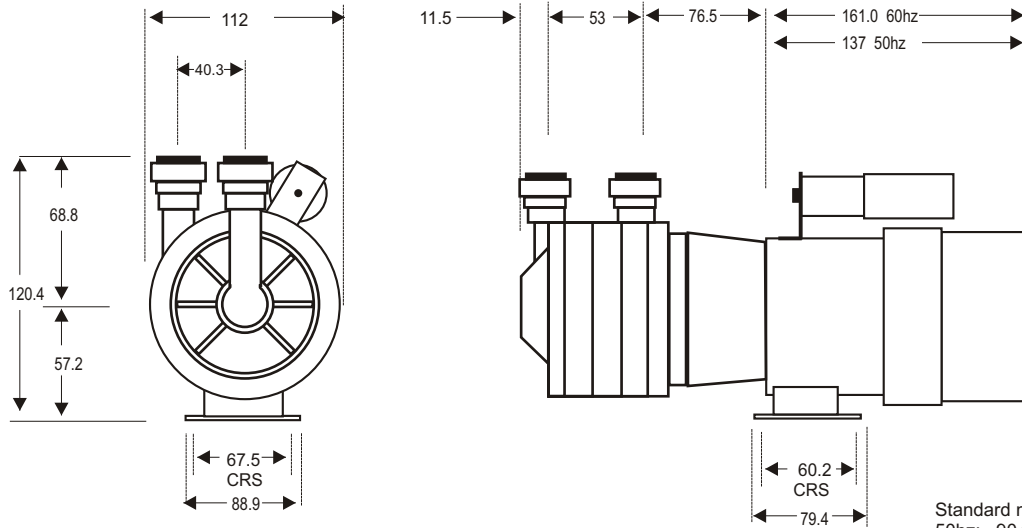
MSP-3

DIMENSIONAL SCHEMATIC, PERFORMANCE AND PARTS LIST

DIMENSIONS mm

not to scale
specifications are subject to change

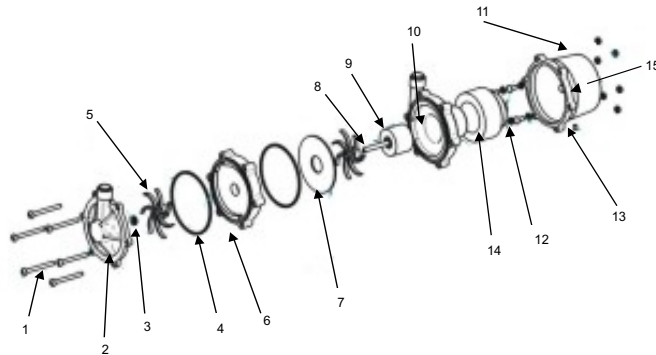
Ports: 1/2" BSP
3/4" BSP
15 mm push fit



Details may change depending upon the motor specified

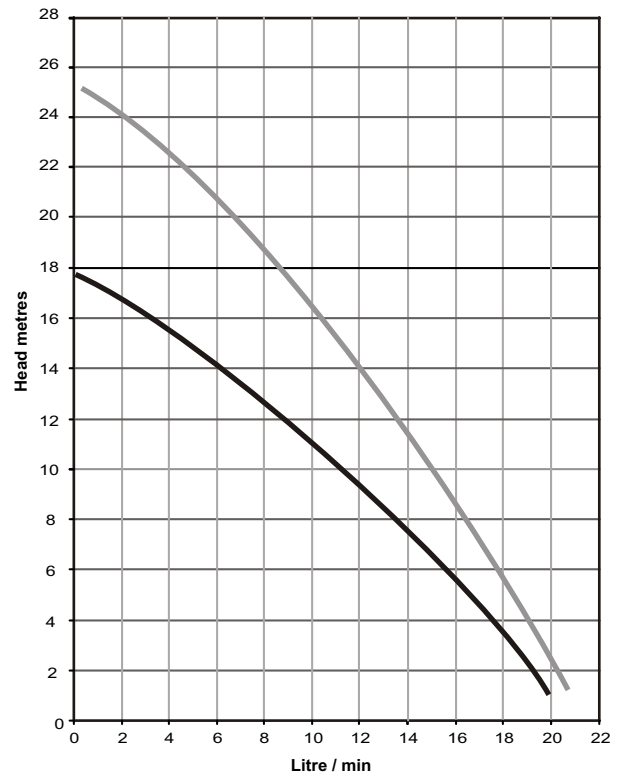
Standard motor
50hz: 90 watt
60hz: 120 watt

PARTS LIST



| ITEM DESCRIPTION | NOS | CODE |
|--------------------------------------|-----|--------------|
| 1 M5 x 70 Pozi Pan Screw St Stl Set | 6 | 5020-212-50 |
| 2 MSP Front Cover PP JG | 1 | 5020-110-01 |
| MSP Front Cover PP 1/2" NPTM | 1 | 5020-111-01 |
| MSP Front Cover PP 3/4" BSPM | 1 | 5020-112-01 |
| 3 Washer Thrust Ceramic | 1 | 0130-028-UK |
| 4 O Ring Id 87, 3mm C/Sec Nitrile | 3 | 5020-122-30 |
| 5 Impeller PPS | 3 | 5021-130-08N |
| 6 Stage Housing | 2 | 5020-150-01 |
| 7 Backing Plate | 2 | 5020-160-13 |
| 9 Impeller magnet PPS | 1 | 5021-191-08 |
| 8 Spindle St Stl 97mm | 1 | 5021-232-51 |
| 10 MSP Pump Housing PP JG | 1 | 5020-140-01 |
| MSP Pump Housing PP 1/2"NPTM | 1 | 5020-141-01 |
| MSP Pump Housing PP 3/4"BSPM | 1 | 5020-142-01 |
| 11 Full Nut M5 St Stl Set | 6 | 5021-180-50 |
| 14 Drive Magnet | 1 | 5021-202-60 |
| 12 Screw M5 x 12 Pozi Pan St Stl Set | 4 | 5021-2212-50 |
| 13 Washer M5 Shakeproof St Stl Set | 4 | 0135-200-UK |
| 15 MSP Bracket PP | 1 | 5020-170-01 |

PERFORMANCE



Tests obtained with water 1.0 SG

— 50 Hz 2900 rpm 90 watt
— 60 Hz 3400 rpm 120 watt