

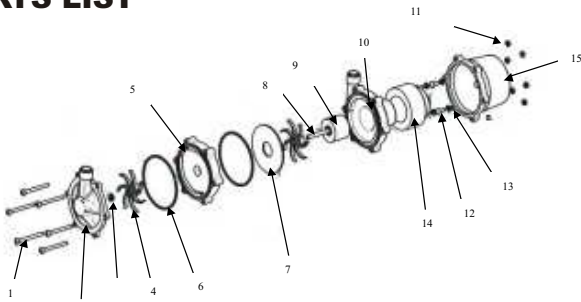


# MSP-2 & MS 13/13

01/01/2011

## DIMENSIONAL SCHEMATIC, PERFORMANCE AND PARTS

### PARTS LIST

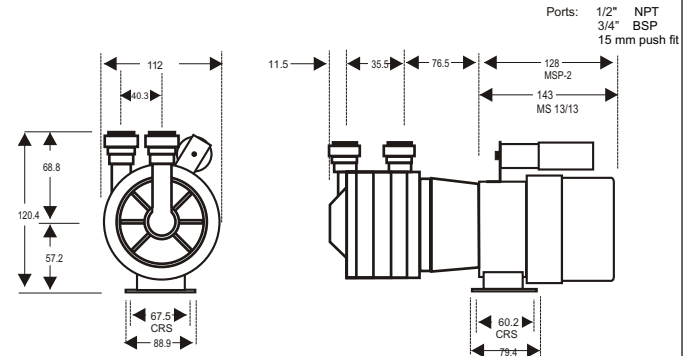


ITEM DESCRIPTION	NOS	CODE	PRICE
<b>MSP-2</b>			
1 M5 x 55 Pozi Pan Screw St Stl Set	6	5021-2112-50	£ 1.38
2 MSP Front Cover PP JG	1	5020-110-01	£ 14.94
MSP Front Cover PP 1/2" NPTM	1	5020-111-01	£ 11.45
MSP Front Cover PP 3/4" BSPM	1	5020-112-01	£ 11.45
3 Washer Thrust Ceramic	1	0130-028-UK	£ 5.22
4 O Ring Id 87, 3mm C/Sec Nitrile	2	5020-122-30	£ 1.38
5 Impeller PPS	2	5021-130-08N	£ 5.12
6 Stage Housing	1	5020-150-01	£ 10.82
7 Backing Plate	1	5020-160-13	£ 10.17
9 Impeller magnet PPS	1	5021-191-08	£ 28.61
8 Spindle St Stl 80mm	1	5021-231-51	£ 15.58
10 MSP Pump Housing PP JG	1	5020-140-01	£ 14.39
MSP Pump Housing PP 1/2"NPTM	1	5020-141-01	£ 10.89
MSP Pump Housing PP 3/4"BSPM	1	5020-142-01	£ 10.89
11 Full Nut M5 St Stl Set	6	5021-180-50	£ 1.08
14 Drive Magnet	1	5021-202-60	£ 43.56
12 Screw M5 x 12 Pozi Pan St Stl Set	4	5021-2212-50	£ 0.84
13 Washer M5 Shakeproof St Stl Set	4	0135-200-UK	£ 1.48
15 MSP Bracket PP	1	5020-170-01	£ 15.65
Wet End Assembly JG – Items 1-11			£ 115.12
Wet End Assembly 1/2" NPTM – Items 1-11			£ 108.13
Wet End Assembly 3/4" BSPM – Items 1-11			£ 108.13
Pump Head Assembly JG – Items 1-15			£ 176.64
Pump Head Assembly 1/2" NPTM – Items 1-15			£ 169.65
Pump Head Assembly 3/4" BSPM – Items 1-15			£ 169.65

<b>MS 13/13</b>			
1 M5 x 55 Pozi Pan Screw St Stl Set	6	5021-2112-50	£ 1.38
2 MS Front Cover PP JG	1	5020-110-01	£ 14.94
MS Front Cover PP 1/2" NPTM	1	5020-111-01	£ 11.45
MS Front Cover PP 3/4" BSPM	1	5020-112-01	£ 11.45
3 Washer Thrust Ceramic	1	0130-028-uk	£ 5.22
4 Impeller PPS	2	5021-130-08N	£ 5.12
5 O Ring Viton	2	5020-122-31	£ 5.90
6 Stage Housing PP	1	5020-150-01	£ 10.82
7 Backing Plate	1	5020-160-13	£ 10.17
8 Spindle Ceramic	1	5020-231-70	£ 22.39
9 Impeller magnet	1	5021-191-22	£ 76.31
10 Pump Housing PP JG	1	5020-140-01	£ 14.39
Pump Housing PP 1/2"NPTM	1	5020-141-01	£ 10.89
Pump Housing PP 3/4"BSPM	1	5020-142-01	£ 10.89
11 Full Nut M5 St Stl Set	6	5021-180-50	£ 1.08
12 Screw M5 x 12 Pozi Pan St Stl Set	4	5021-2212-50	£ 0.84
13 Washer M5 Shakeproof St Stl Set	4	0135-200-UK	£ 1.48
14 Drive Magnet Assm	1	5021-203-11	£ 43.56
15 Bracket PP	1	5020-170-01	£ 15.65
16 Socket Set Screw M5x6 St Stl	1	5021-500-56	£ 0.23
Wet End Assembly JG – Items 1-13			£ 180.88
Wet End Assembly 1/2" NPTM – Items 1-13			£ 173.89
Wet End Assembly 3/4" BSPM – Items 1-13			£ 173.89
Pump Head Assembly JG – Items 1-16			£ 240.32
Pump Head Assembly 1/2" NPTM – Items 1-16			£ 233.33
Pump Head Assembly 3/4" BSPM – Items 1-16			£ 233.33

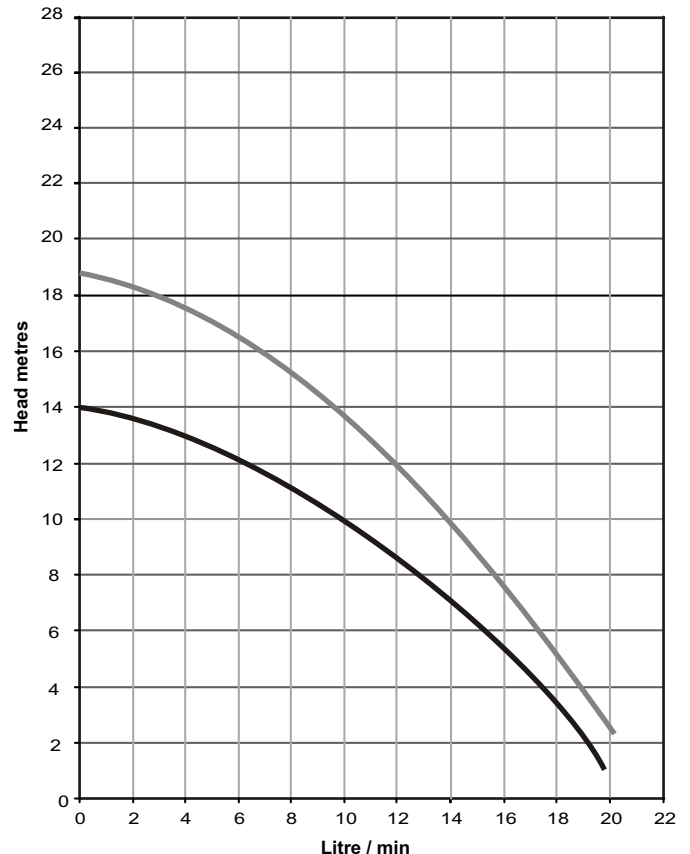
### DIMENSIONS mm

not to scale specifications are subject to change



Details may change depending upon the motor specified

### PERFORMANCE



Tests obtained with water 1.0 SG

— 50 hz 2900 rpm  
 - - - 60 hz 3400 rpm