



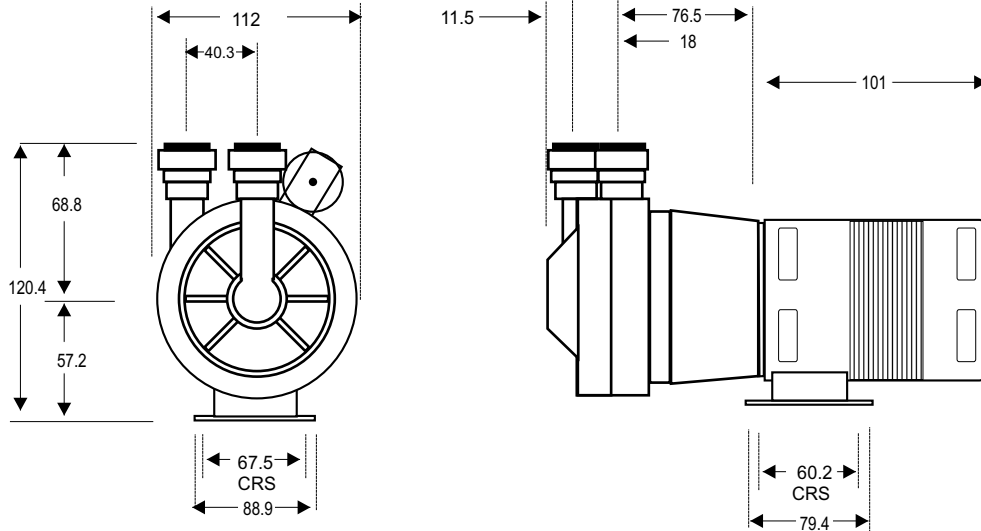
# MSP-1-sp

## DIMENSIONAL SCHEMATIC, PERFORMANCE AND PARTS LIST

### DIMENSIONS mm

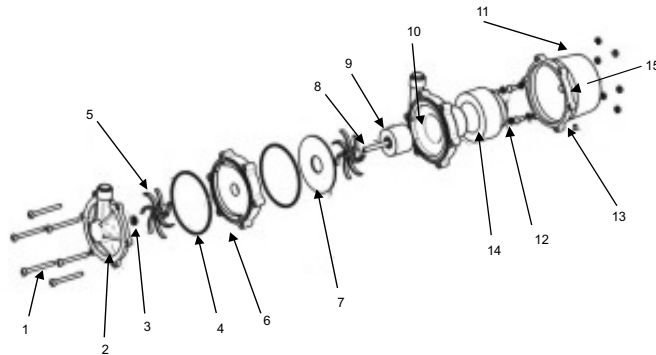
not to scale  
specifications are subject to change

Ports: 1/2" BSP  
3/4" BSP  
15 mm push fit



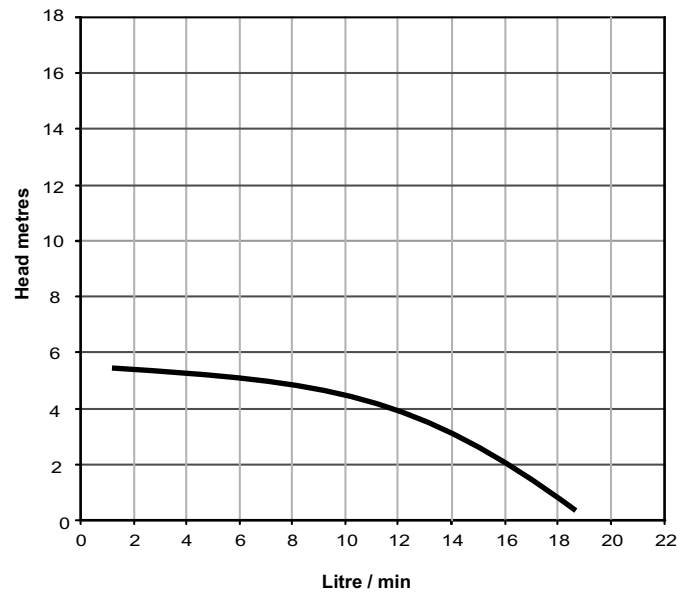
Details may change depending upon the motor specified

### PARTS LIST



| ITEM | DESCRIPTION                        | NOS | CODE         |
|------|------------------------------------|-----|--------------|
| 1    | M5 x 35 Pozzi Pan Screw St Stl Set | 6   | 5021-210-50P |
| 2    | MSP Front Cover PP JG              | 1   | 5020-110-01  |
|      | MSP Front Cover PP 1/2" NPTM       | 1   | 5020-111-01  |
|      | MSP Front Cover PP 3/4" BSPM       | 1   | 5020-112-01  |
| 3    | Washer Thrust Ceramic              | 1   | 0130-028-UK  |
| 4    | O Ring Nitrile                     | 1   | 5021-122-30  |
| 5    | Impeller PPS                       | 1   | 5021-130-08N |
| 6    | Impeller magnet PPS                | 1   | 5021-191-08  |
| 7    | Spindle St Stl 64mm                | 1   | 5021-230-51  |
| 8    | MSP Pump Housing PP JG             | 1   | 5020-140-01  |
|      | MSP Pump Housing PP 1/2"NPTM       | 1   | 5020-141-01  |
|      | MSP Pump Housing PP 3/4"BSPM       | 1   | 5020-142-01  |
| 9    | Full Nut M5 St Stl Set             | 6   | 5021-180-50  |
| 10   | Drive Magnet                       | 1   | 5021-202-60  |
| 11   | Screw M5 x 12 Pozzi Pan St Stl Set | 4   | 5021-2212-50 |
| 12   | Washer M5 Shakeproof St Stl Set    | 4   | 0135-200-UK  |
| 13   | MSP Bracket PP                     | 1   | 5020-170-01  |

### PERFORMANCE



Tests obtained with water 1.0 SG

— 50 hz 2900 rpm  
— 60 hz 3400 rpm