

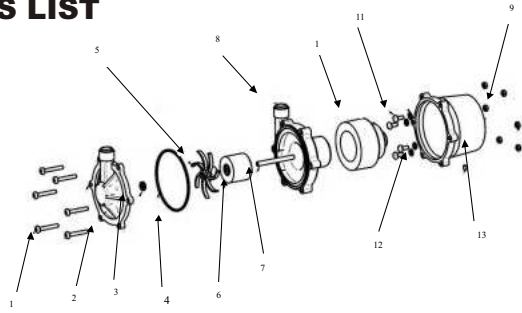


MSP-1 & MS 7/12

01/01/2011

DIMENSIONAL SCHEMATIC, PERFORMANCE AND PARTS

PARTS LIST

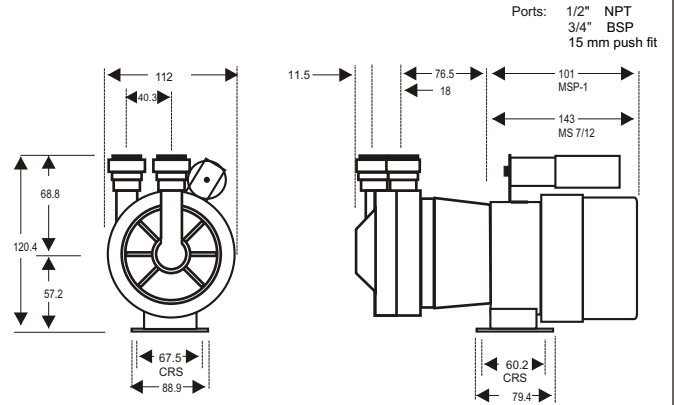


ITEM DESCRIPTION	NOS	CODE	PRICE
MSP-1			
1 M5 x 35 Pozi Pan Screw St Stl Set	6	5021-210-50P	£ 1.38
2 MSP Front Cover PP JG	1	5020-110-01	£ 14.94
MSP Front Cover PP 1/2" NPTM	1	5020-111-01	£ 11.45
MSP Front Cover PP 3/4" BSPM	1	5020-112-01	£ 11.45
3 Washer Thrust Ceramic	1	0130-028-UK	£ 5.22
4 O Ring Nitrile	1	5021-122-30	£ 1.38
5 Impeller PPS	1	5021-130-08N	£ 5.12
6 Impeller magnet PPS	1	5021-191-08	£ 28.61
7 Spindle St Stl 64mm	1	5021-230-51	£ 13.17
8 MSP Pump Housing PP JG	1	5020-140-01	£ 14.39
MSP Pump Housing PP 1/2"NPTM	1	5020-141-01	£ 10.89
MSP Pump Housing PP 3/4"BSPM	1	5020-142-01	£ 10.89
9 Full Nut M5 St Stl Set	6	5021-180-50	£ 1.08
10 Drive Magnet	1	5021-202-60	£ 43.56
11 Screw M5 x 12 Pozi Pan St Stl Set	4	5021-2212-50	£ 0.84
12 Washer M5 Shakeproof St Stl Set	4	0135-200-UK	£ 1.48
13 MSP Bracket PP	1	5020-170-01	£ 15.65
Wet End Assembly JG – Items 1-9			£ 85.24
Wet End Assembly 1/2" NPTM – Items 1-9			£ 78.25
Wet End Assembly 3/4" BSPM – Items 1-9			£ 78.25
Pump Head Assembly JG – Items 1-14			£ 146.76
Pump Head Assembly 1/2" NPTM – Items 1-14			£ 139.77
Pump Head Assembly 3/4" BSPM – Items 1-14			£ 139.77

MS 7/12			
1 M5 x 35 Pozi Pan Screw St Stl Set	6	5021-210-50P	£ 1.38
2 MS Front Cover PP JG	1	5020-110-01	£ 14.94
MS Front Cover PP 1/2" NPTM	1	5020-111-01	£ 11.45
MS Front Cover PP 3/4" BSPM	1	5020-112-01	£ 11.45
3 Washer Thrust Ceramic	1	0130-028-UK	£ 5.22
4 O Ring Viton	1	5020-122-31	£ 5.90
5 Impeller PPS	1	5021-130-08N	£ 5.12
6 Impeller magnet	1	5021-191-22	£ 76.31
7 Spindle Ceramic	1	0130-024-UK	£ 13.17
8 Pump Housing PP JG	1	5020-140-01	£ 14.39
Pump Housing PP 1/2"NPTM	1	5020-141-01	£ 10.89
Pump Housing PP 3/4"BSPM	1	5020-142-01	£ 10.89
9 Full Nut M5 St Stl Set	6	5021-180-50	£ 1.08
10 Drive Magnet Assm	1	5021-202-60	£ 43.56
11 Screw M5 x 12 Pozi Pan St Stl Set	4	5021-2212-50	£ 0.84
12 Washer M5 Shakeproof St Stl Set	4	0135-200-UK	£ 1.48
13 Bracket PP	1	5020-170-01	£ 15.65
14 Socket Set Screw M5x6 St Stl	1	5021-500-56	£ 0.23
Wet End Assembly JG – Items 1-9			£ 137.42
Wet End Assembly 1/2" NPTM – Items 1-9			£ 130.43
Wet End Assembly 3/4" BSPM – Items 1-9			£ 130.43
Pump Head Assembly JG – Items 1-14			£ 199.17
Pump Head Assembly 1/2" NPTM – Items 1-14			£ 192.18
Pump Head Assembly 3/4" BSPM – Items 1-14			£ 192.18

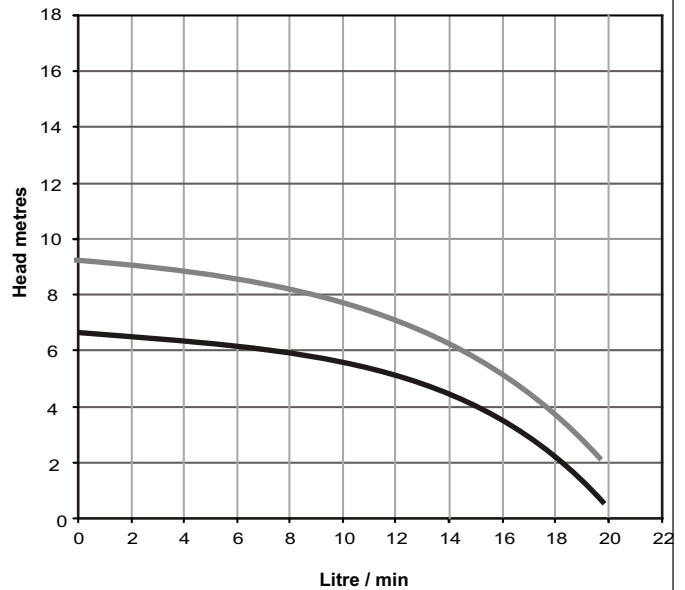
DIMENSIONS mm

not to scale specifications are subject to change



Details may change depending upon the motor specified
 Details may change depending upon the motor specified

PERFORMANCE



Tests obtained with water 1.0 SG

— 50 hz 2900 rpm
 - - - 60 hz 3400 rpm