

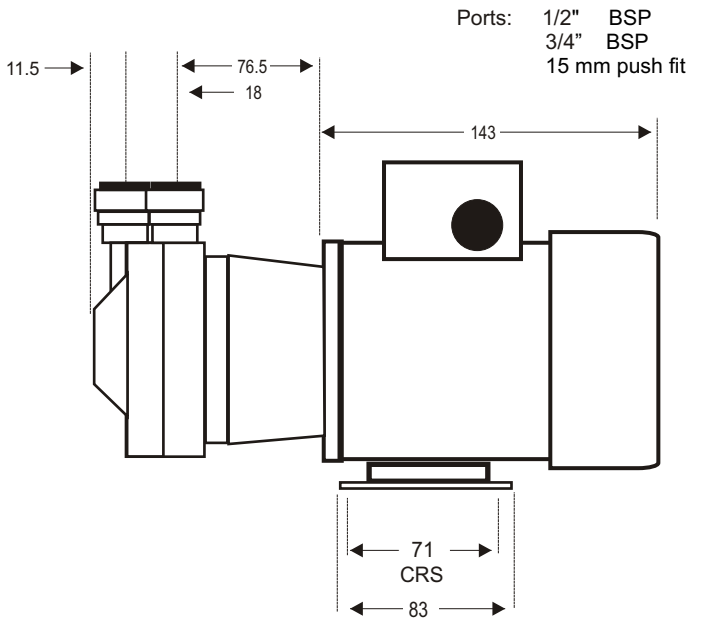
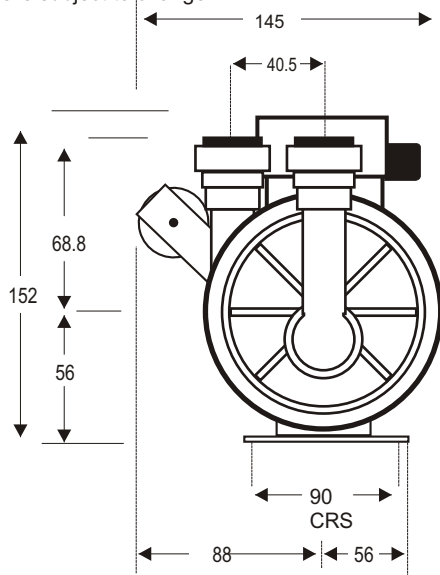


MS 7/12

DIMENSIONAL SCHEMATIC, PERFORMANCE AND PARTS LIST

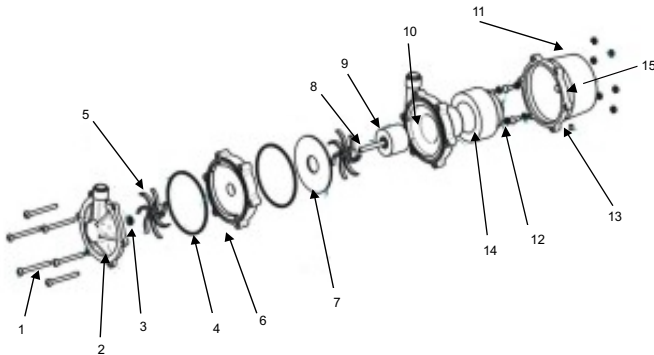
DIMENSIONS mm

not to scale
specifications are subject to change



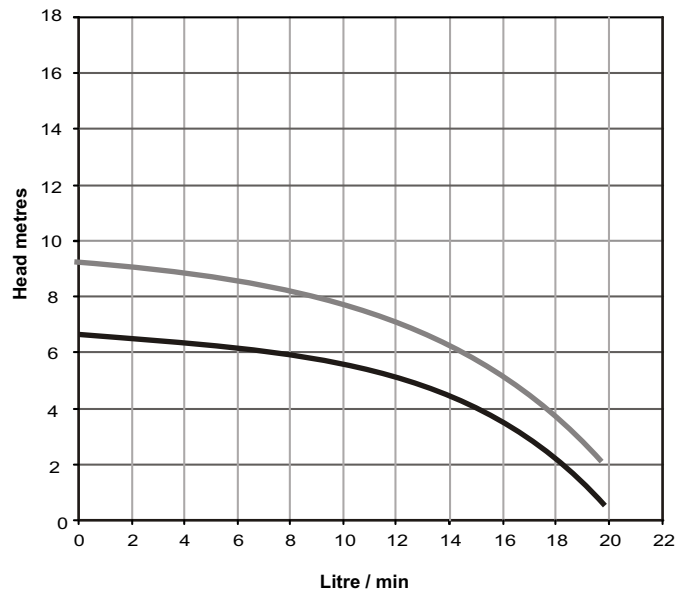
Details may change depending upon the motor specified

PARTS LIST



ITEM	DESCRIPTION	NOS	CODE
1	M5 x 35 Pozzi Pan Screw St Stl Set	6	5021-210-50P
2	MSP Front Cover PP JG	1	5020-110-01
	MSP Front Cover PP 1/2" NPTM	1	5020-111-01
	MSP Front Cover PP 3/4" BSPM	1	5020-112-01
3	Washer Thrust Ceramic	1	0130-028-UK
4	O Ring Nitrile	1	5021-122-30
5	Impeller PPS	1	5021-130-08N
6	Impeller magnet PPS	1	5021-191-08
7	Spindle St Stl 64mm	1	5021-230-51
8	MSP Pump Housing PP JG	1	5020-140-01
	MSP Pump Housing PP 1/2"NPTM	1	5020-141-01
	MSP Pump Housing PP 3/4"BSPM	1	5020-142-01
9	Full Nut M5 St Stl Set	6	5021-180-50
10	Drive Magnet	1	5021-202-60
11	Screw M5 x 12 Pozzi Pan St Stl Set	4	5021-2212-50
12	Washer M5 Shakeproof St Stl Set	4	0135-200-UK
13	MSP Bracket PP	1	5020-170-01

PERFORMANCE



Tests obtained with water 1.0 SG
 — 50 hz 2900 rpm
 — 60 hz 3400 rpm