

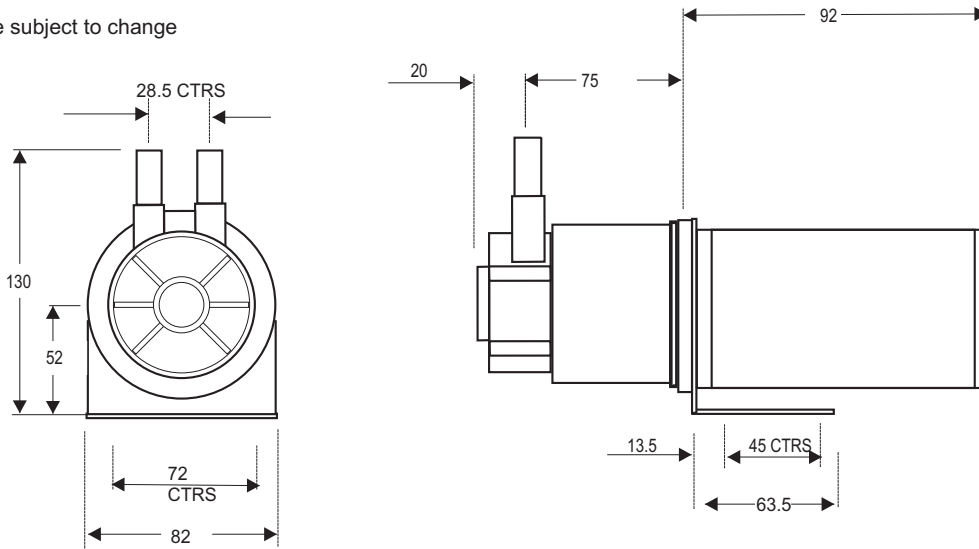


HTP-C, 24v DC Brushless

DIMENSIONAL SCHEMATIC

DIMENSIONS metric : mm

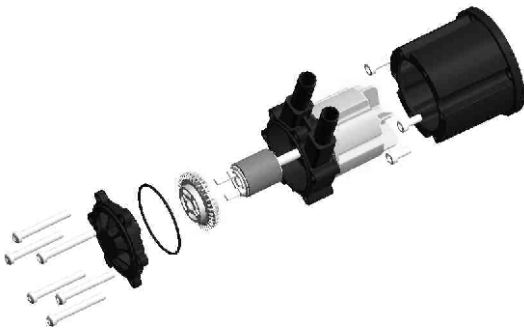
not to scale
specifications are subject to change



Details may change depending upon the motor specified

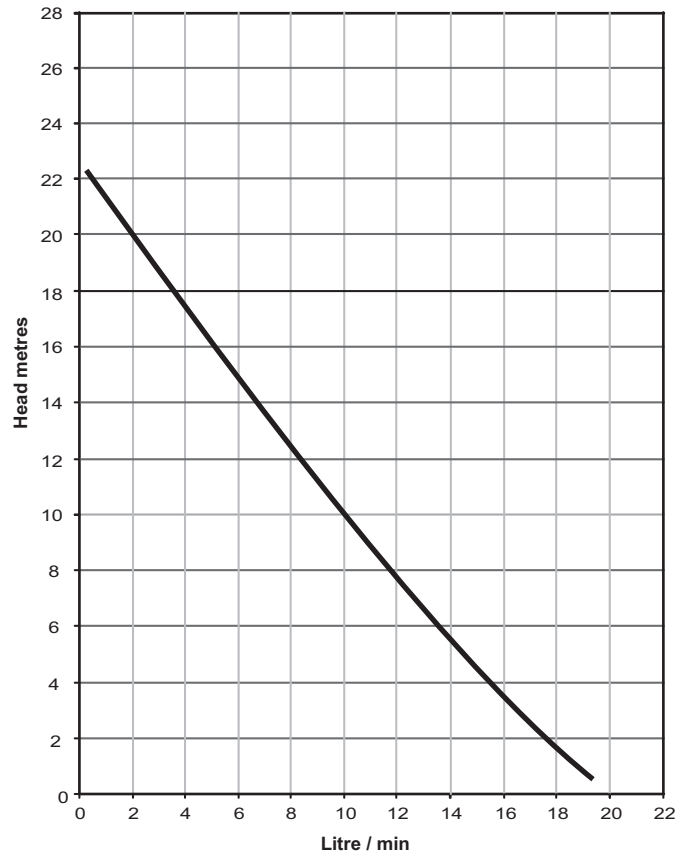
Motor: Dunkermotoren BG 65x25ki

PARTS LIST



ITEM DESCRIPTION	NOS	CODE
1 HOUSING SCREWS ST/STEEL	4	5002-120-30
2 FRONT COVER	1	5022-2101-50
3 O RING - NITRILE	1	5002-120-30
4 TURBINE	1	5025-131-14
5 IMPELLER MAGNET	1	5025-191-08INN
6 SPINDLE STAINLESS STEEL	1	5025-100-51
7 PUMP HOUSING	1	5025-141-09
8 DRIVE MAGNET HI TORQUE	1	5025-203-00
9 MOTOR BRACKET	1	5025-170-01
10 BRACKET FIXING SCREWS	1	5090-512-50CAI

PERFORMANCE



Tests obtained with water 1.0 SG