

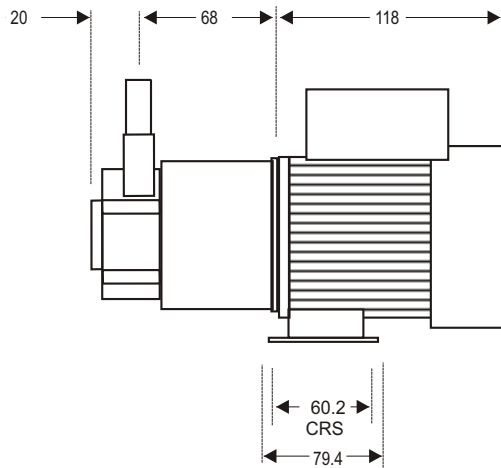
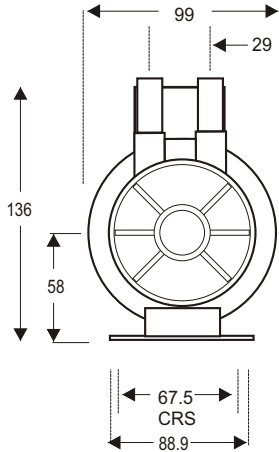


# HTP-B

## DIMENSIONAL SCHEMATIC, PERFORMANCE AND PARTS LIST

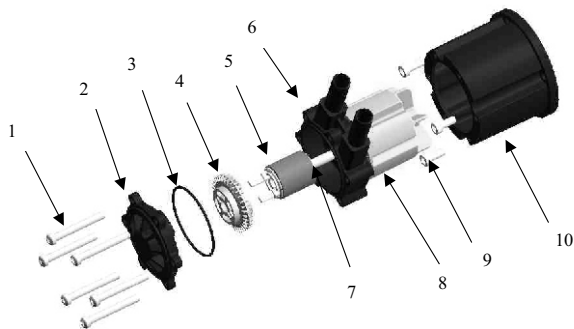
### DIMENSIONS mm

not to scale  
specifications are subject to change



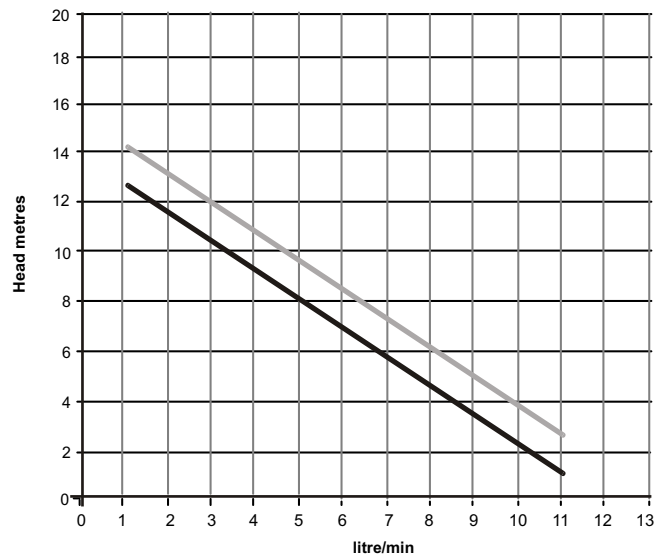
Details may change depending upon the motor specified

### PARTS LIST



ITEM	DESCRIPTION	NOS	CODE
1	HOUSING SCREWS ST/STEEL	4	5002-120-30
2	FRONT COVER (RYTON)	1	5022-2101-50
3	O RING - NITRILE	1	5002-120-30
4	TURBINE (RYTON)	1	5025-131-14
5	IMPELLER MAGNET	1	5025-191-08
6	SPINDLE STAINLESS STEEL	1	5025-100-51
7	PUMP HOUSING (RYTON)	1	5025-141-09
8	DRIVE MAGNET	1	5025-201-00
9	MOTOR BRACKET	1	5025-170-01
10	BRACKET FIXING SCREWS	1	5090-512-50CAP

### PERFORMANCE



Tests obtained with water 1.0 SG

— 50 hz 2900 rpm  
— 60 hz 3400 rpm