



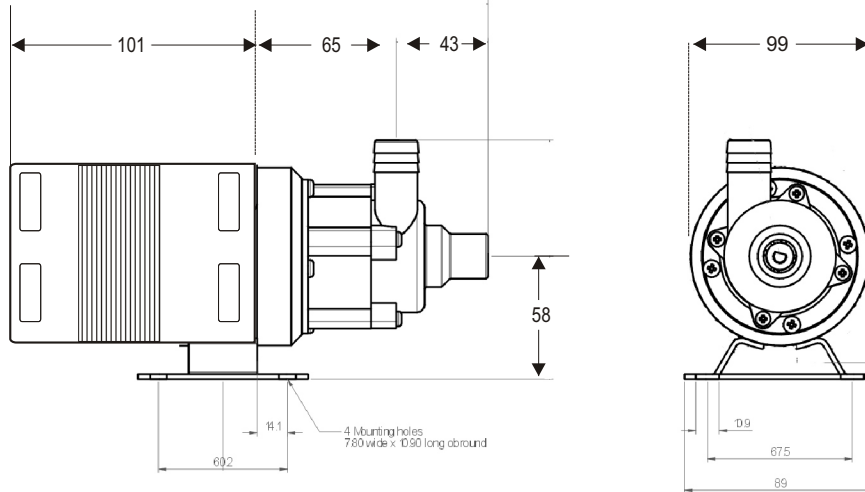
# EMDsp-4/5--MD

## DIMENSIONAL SCHEMATIC, PERFORMANCE AND PARTS LIST

### DIMENSIONS mm

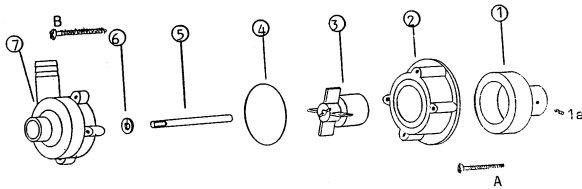
not to scale  
specifications are subject to change

Inlet: 3/8" FPT  
3/4" MPT  
Outlet: 1/4" MPT



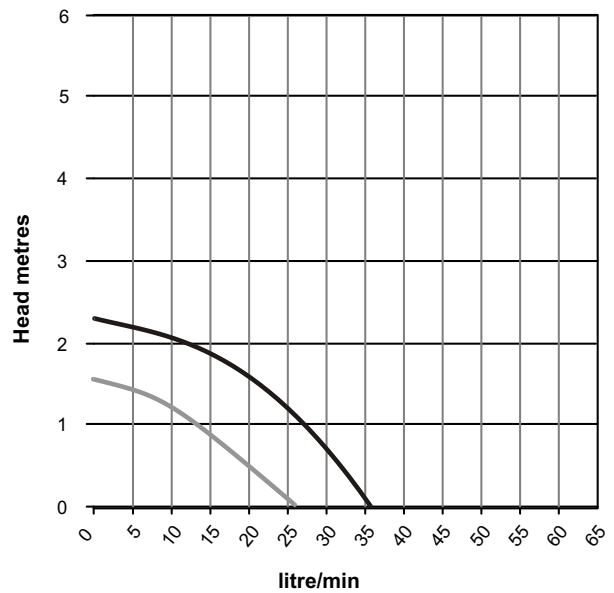
Details may change depending upon the motor specified

### PARTS LIST



ITEM DESCRIPTION	NOS	CODE	PRICE
<b>EMD-4/5</b>			
1 DRIVE MAGNET ASSY - FERRITE/PPS		5002-200-01	£ 28.95
2 REAR HOUSING PP	1	5002-250-01	£ 7.69
3 IMPELLER PP (EMD-4 ONLY)	1	5002-134-01	£ 30.15
3 IMPELLER PP (EMD-5 ONLY)	1	5002-135-01	£ 30.15
4 'O' RING NITRILE	1	5002-120-30	£ 2.07
4 'O' RING VITON	1	5002-120-31	£ 4.91
5 SPINDLE CERAMIC	1	0130-024-UK	£ 11.59
6 WASHER THRUST CERAMIC	1	0130-028-UK	£ 4.60
7 PUMP HOUSING PLAIN PP	1	5002-140-01	£ 7.92
7 PUMP HOUSING THREADED	1	5002-141-01	£ 8.27
8 MOTOR ADAPTOR (NOT SHOWN) PVC		5002-500-21	£ 3.84
A MOTOR SCREW M4 x 30 SS	4	5002-221-50	£ 1.28
B PUMP HOUSING SCREW No6 x 3/4" 3S		5002-210-50	£ 1.88
30W AEID 6030K 240-1-50	1	UE96-820-10	£ 62.56

### PERFORMANCE



Tests obtained with water 1.0 SG  
50 hz 2900 rpm

— EMD-5  
— EMD-4