



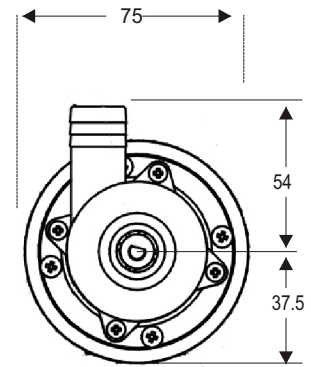
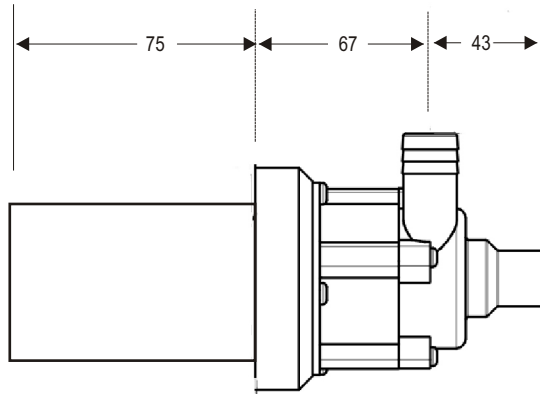
EMD-5-MD 24v bi

DIMENSIONAL SCHEMATIC, PERFORMANCE AND PARTS LIST

DIMENSIONS mm

not to scale
specifications are subject to change

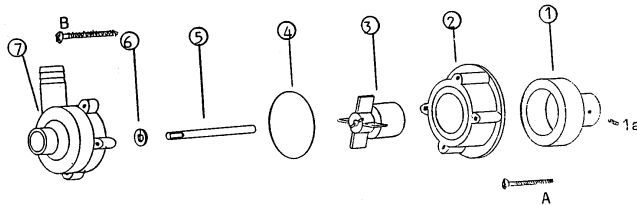
Inlet: 1/2" BSP male
3/4" Barbed
Outlet: 1/2" BSP male
3/4" Barbed male



Details may change depending upon the motor specified

Motor: Dunkermotoren BR 65x25 ki

PARTS LIST

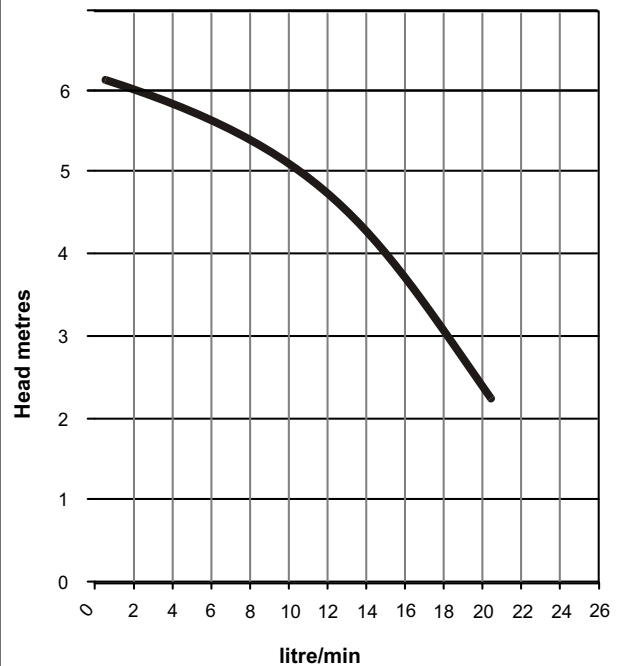


ITEM DESCRIPTION NOS CODE

EMD-4/5

1	DRIVE MAGNET ASSY - FERRITE/PPS		5002-200-01
2	REAR HOUSING PP	1	5002-250-01
3	IMPELLER PP (EMD-4 ONLY)	1	5002-134-01
3	IMPELLER PP (EMD-5 ONLY)	1	5002-135-01
4	'O' RING NITRILE	1	5002-120-30
4	'O' RING VITON	1	5002-120-31
5	SPINDLE CERAMIC	1	0130-024-UK
6	WASHER THRUST CERAMIC	1	0130-028-UK
7	PUMP HOUSING PLAIN PP	1	5002-140-01
7	PUMP HOUSING THREADED	1	5002-141-01
8	MOTOR ADAPTOR (NOT SHOWN) PVC		5002-500-21
A	MOTOR SCREW M4 x 30 SS	4	5002-221-50
B	PUMP HOUSING SCREW No6 x 3/4" SS	1	5002-210-50

PERFORMANCE



Tests obtained with water 1.0 SG

— Estimated