



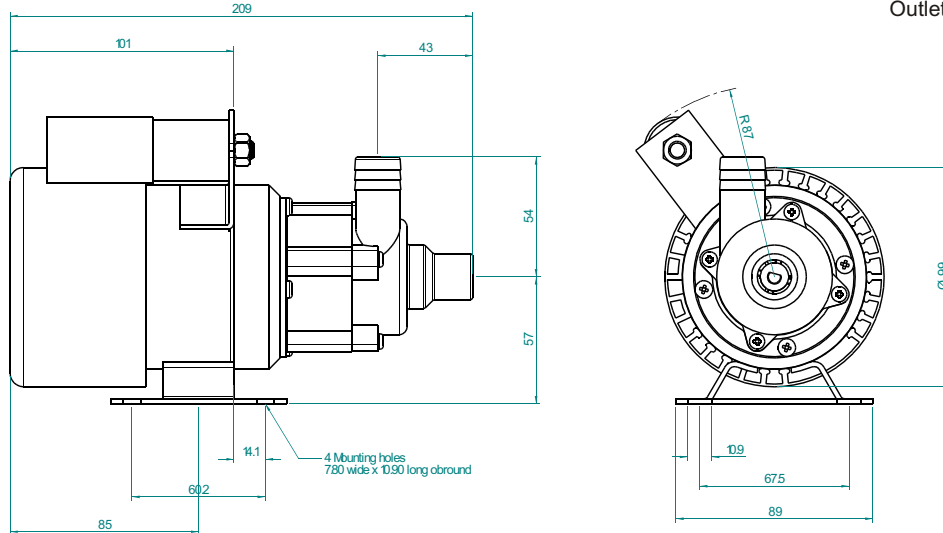
EMD-4/5--MD

DIMENSIONAL SCHEMATIC, PERFORMANCE AND PARTS LIST

DIMENSIONS mm

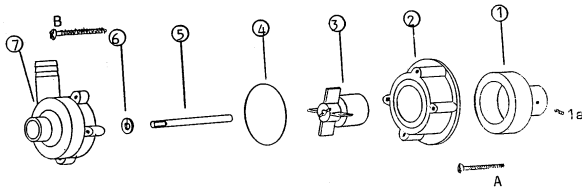
not to scale
specifications are subject to change

Inlet: 3/8" FPT
3/4" MPT
Outlet: 1/4" MPT



Details may change depending upon the motor specified

PARTS LIST

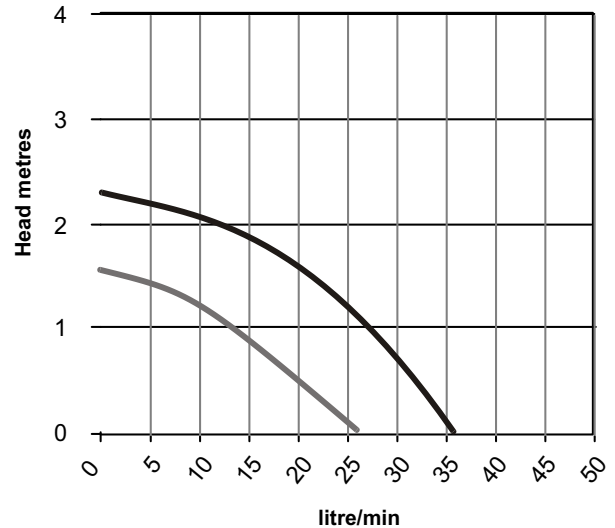


ITEM DESCRIPTION NOS CODE

EMD-4/5

1	DRIVE MAGNET ASSY - FERRITE/PPS	5002-200-01
2	REAR HOUSING PP	1 5002-250-01
3	IMPELLER PP (EMD-4 ONLY)	1 5002-134-01
3	IMPELLER PP (EMD-5 ONLY)	1 5002-135-01
4	'O' RING NITRILE	1 5002-120-30
4	'O' RING VITON	1 5002-120-31
5	SPINDLE CERAMIC	1 0130-024-UK
6	WASHER THRUST CERAMIC	1 0130-028-UK
7	PUMP HOUSING PLAIN PP	1 5002-140-01
7	PUMP HOUSING THREADED	1 5002-141-01
8	MOTOR ADAPTOR (NOT SHOWN) PVC	5002-500-21
A	MOTOR SCREW M4 x 30 SS	4 5002-221-50
B	PUMP HOUSING SCREW No6 x 3/4" SS	5002-210-50
	30W AEID 6030K 240-1-50	1 UE96-820-10

PERFORMANCE



Tests obtained with water 1.0 SG
50 hz 2900 rpm

— EMD-5
— EMD-4