

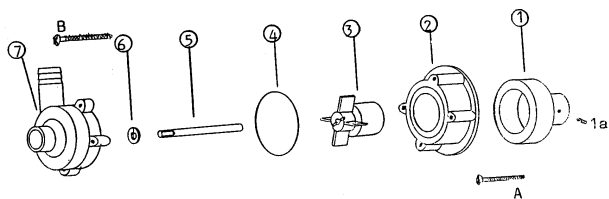


EMD 4/5

01/01/2011

DIMENSIONAL SCHEMATIC, PERFORMANCE AND PARTS

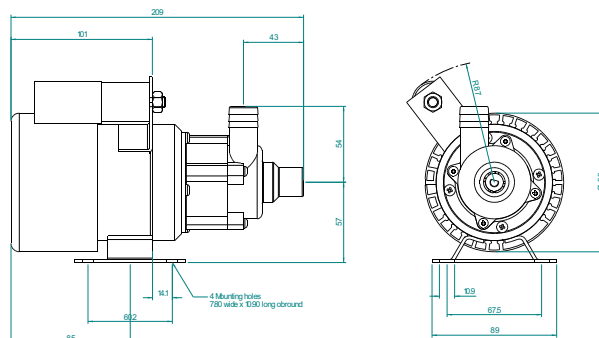
PARTS LIST



ITEM DESCRIPTION	NOS	CODE	PRICE
EMD-4/5			
1 DRIVE MAGNET ASSY - FERRITE/PPS	5002-200-01	£ 32.43	
2 REAR HOUSING PP	1 5002-250-01	£ 8.74	
3 IMPELLER PP (EMD-4 ONLY)	1 5002-134-01	£ 34.24	
3 IMPELLER PP (EMD-5 ONLY)	1 5002-135-01	£ 34.24	
4 'O' RING NITRILE	1 5002-120-30	£ 2.35	
4 'O' RING VITON	1 5002-120-31	£ 5.57	
5 SPINDLE CERAMIC	1 0130-024-UK	£ 13.17	
6 WASHER THRUST CERAMIC	1 0130-028-UK	£ 5.22	
7 PUMP HOUSING PLAIN PP	1 5002-140-01	£ 8.99	
7 PUMP HOUSING THREADED	1 5002-141-01	£ 9.39	
8 MOTOR ADAPTOR (NOT SHOWN) PVC	5002-500-21	£ 4.36	
A MOTOR SCREW M4 x 30 SS	4 5002-221-50	£ 1.48	
B PUMP HOUSING SCREW No6 x 3/4"SS	5002-210-50	£ 2.12	
30W AEID 6030K 240-1-50	1 UE96-820-10	£ 71.05	

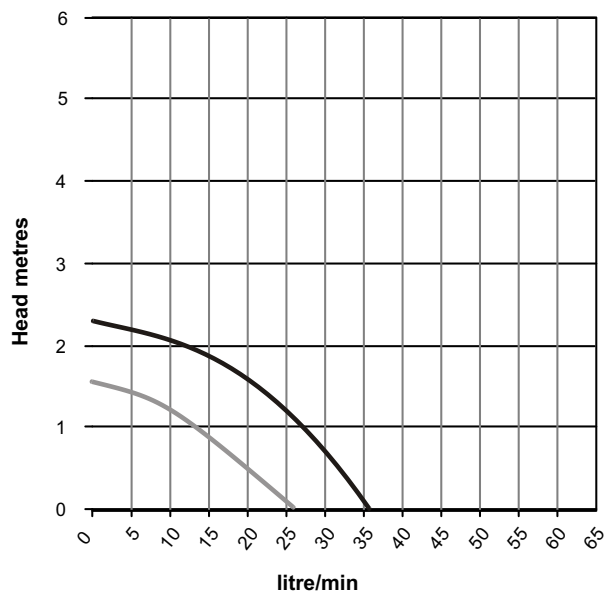
DIMENSIONS mm

not to scale specifications are subject to change



Details may change depending upon the motor specified

PERFORMANCE



Tests obtained with water 1.0 SG
50 hz 2900 rpm

— EMD-5
— EMD-4