



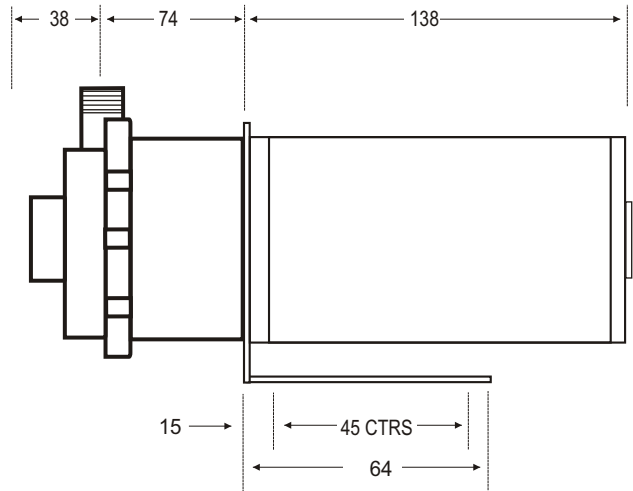
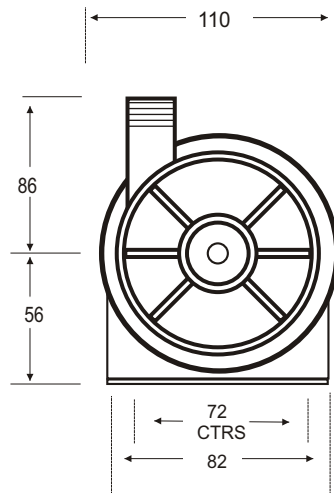
# AC-5P-MD 24v brushless DC

## PROPOSED DIMENSIONAL SCHEMATIC, PERFORMANCE AND PARTS LIST

### DIMENSIONS mm

not to scale  
specifications are subject to change

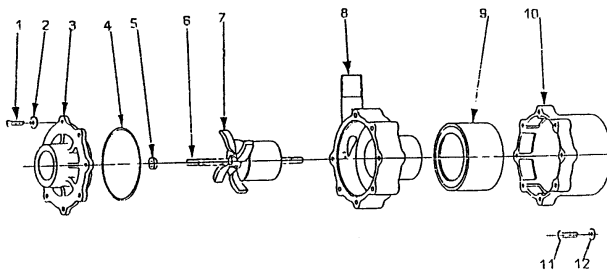
Inlet: 1" BSP.F  
Outlet: 1/2" NPT.M



Details may change depending upon the motor specified

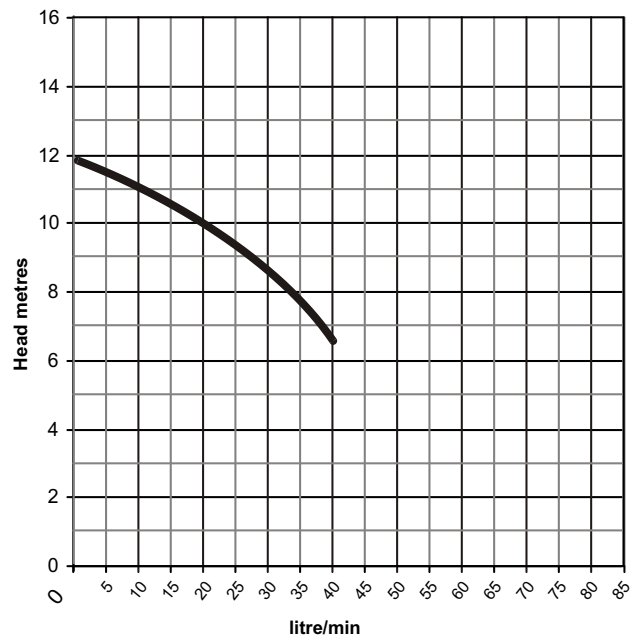
Dunkermotoren 24v brushless dc BG 65 x 75ki

### PARTS LIST



1	HOUSING SCREWS ST/STEEL	7	0150-100-UK
2	HOUSING WASHER ST/STEEL	7	0150-200-UK
3	COVER POLYPROPYLENE (BSP)	1	1099-002-10
4	'O' RING BUNA 'N'	1	0135-007-UK
5	THRUST WASHER CERAMIC	1	0135-028-UK
6	SPINDLE CERAMIC	1	0130-024-UK
7	IMPELLER ASSY	1	0145-011-01
8	PUMP HOUSING	1	0150-031-01
9	DRIVE MAGNET 5/16	1	0145-027-01
10	MOTOR BRACKET	1	0001-050-UK
11	BRACKET FIXING SCREWS	4	0130-100-UK
12	BRACKET FIXING WASHERS	4	0135-200-UK
13	WET END ASSY ITEMS 1-8		0004-111-02
14	PUMP HEAD ASSY ITEMS 1-12		P004-111-020

### PERFORMANCE



Tests obtained with water 1.0 SG  
3345 - 3964 rpm