



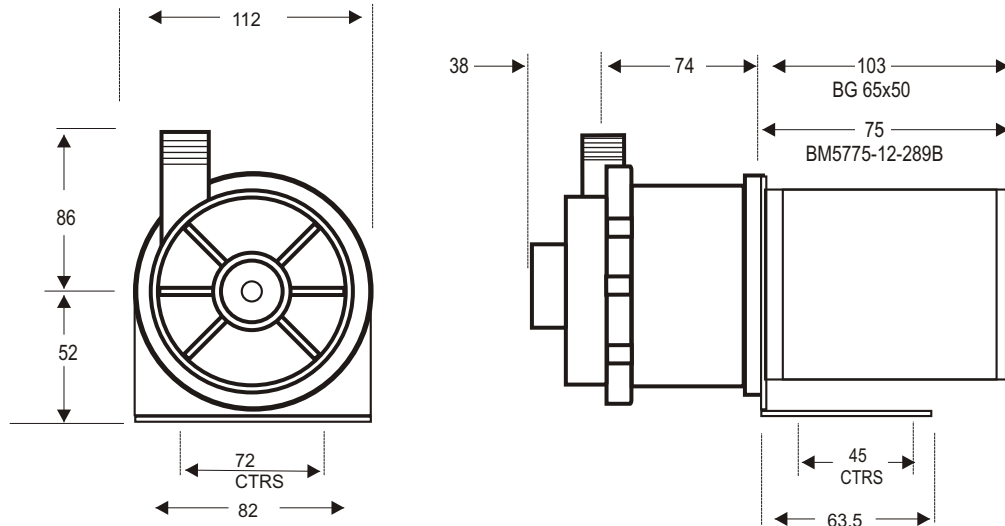
AC-5P-MD 12v DC

PROPOSED DIMENSIONAL SCHEMATIC, PERFORMANCE AND PARTS LIST

DIMENSIONS mm

not to scale
specifications are subject to change

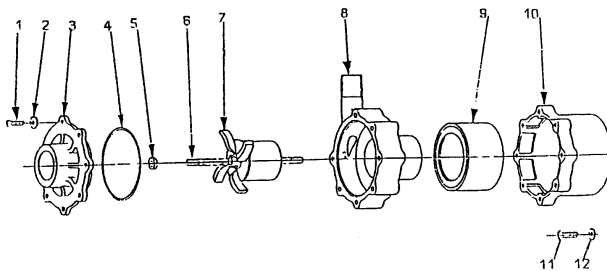
Inlet: 1" BSP.F
Outlet: 1/2" BSP.M



Details may change depending upon the motor specified

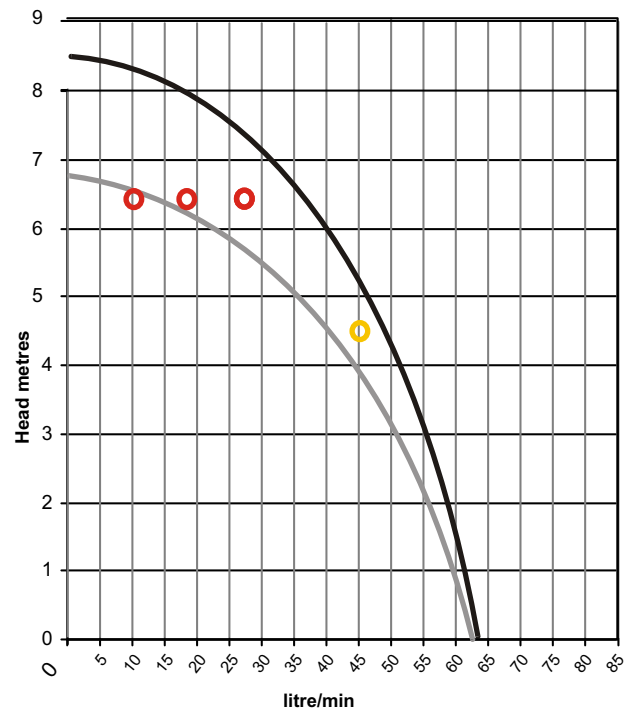
Motor: Dunkermotren BG 65x50
Motor: Motion Control Products BM5775-12-289B

PARTS LIST



ITEM	DESCRIPTION	NOS	CODE
1	HOUSING SCREWS ST/STEEL	7	0150-100-UK
2	HOUSING WASHERS ST/STEEL	7	0150-200-UK
3	PUMP COVER POLYPROPYLENE (BSP)	1	1099-002-10
4	'O' RING VITON	1	0135-023-UK
5	CERAMIC THRUST WASHER	1	0130-028-UK
6	CERAMIC SPINDLE	1	0130-024-UK
7	IMPELLER ASSY POLYPROPYLENE	1	0150-098-02
8	PUMP HOUSING POLYPROPYLENE	1	0150-031-01
9	DRIVE MAGNET ASSY (9mm)	1	0750-193-01
10	MOTOR BRACKET	1	0001-050-UK
11	BRACKET FIXING SCREWS	4	0130-100-UK
12	BRACKET FIXING WASHERS	4	0135-200-UK
13	WET END ASSY ITEMS 1-8		0050-111-01
14	PUMP HEAD ASSY ITEMS 1-12		P050-111-012

PERFORMANCE



Tests obtained with water 1.0 SG

- 50 hz 2850 rpm 230v induction motor
- 60 hz 3450 rpm 230v induction motor
- Duty 1
- Duty 2