

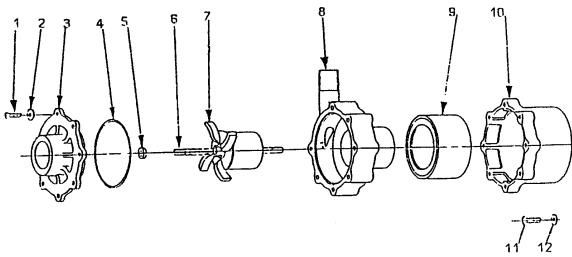


AC-4P-MD

01/01/2011

DIMENSIONAL SCHEMATIC, PERFORMANCE AND PARTS

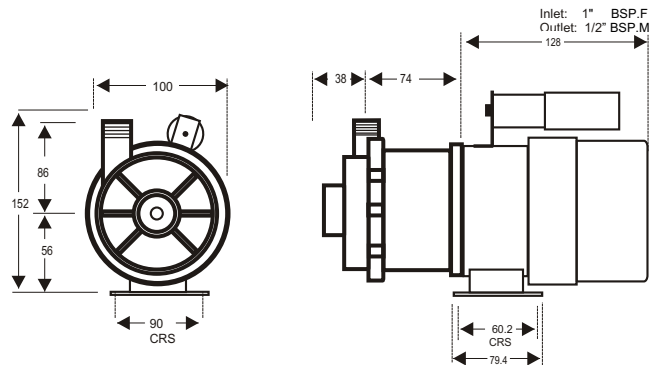
PARTS LIST



ITEM DESCRIPTION	NOS	CODE	PRICE
AC-4P-MD/UE			
1 HOUSING SCREWS ST/STEEL	7	0150-100-UK	£ 4.06
2 HOUSING WASHER ST/STEEL	7	0150-200-UK	£ 0.98
3 COVER POLYPROPYLENE (BSP)	1	1099-002-10	£ 18.25
4 'O' RING BUNA 'N'	1	0135-007-UK	£ 2.21
5 THRUST WASHER CERAMIC	1	0135-028-UK	£ 5.22
6 SPINDLE CERAMIC	1	0130-024-UK	£ 13.17
7 IMPELLER ASSY	1	0145-011-01	£ 35.21
8 PUMP HOUSING	1	0150-031-01	£ 20.21
9 DRIVE MAGNET 5/16	1	0145-027-01	£ 51.50
10 MOTOR BRACKET	1	0001-050-UK	£ 32.76
11 BRACKET FIXING SCREWS	4	0130-100-UK	£ 1.48
12 BRACKET FIXING WASHERS	4	0135-200-UK	£ 1.48
WET END ASSY ITEMS 1-8		0004-111-02	£ 94.53
PUMP HEAD ASSY ITEMS 1-12		P004-111-020	£ 177.58

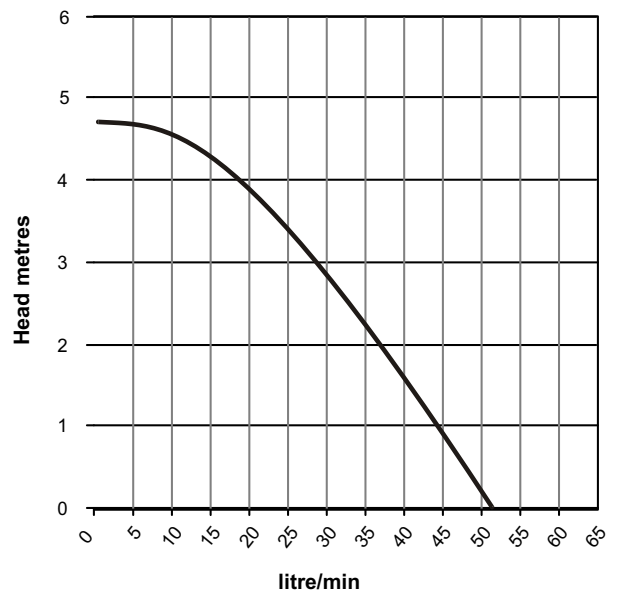
DIMENSIONS mm

not to scale specifications are subject to change



Details may change depending upon the motor specified

PERFORMANCE



Tests obtained with water 1.0 SG

— 50 hz 2900 rpm