

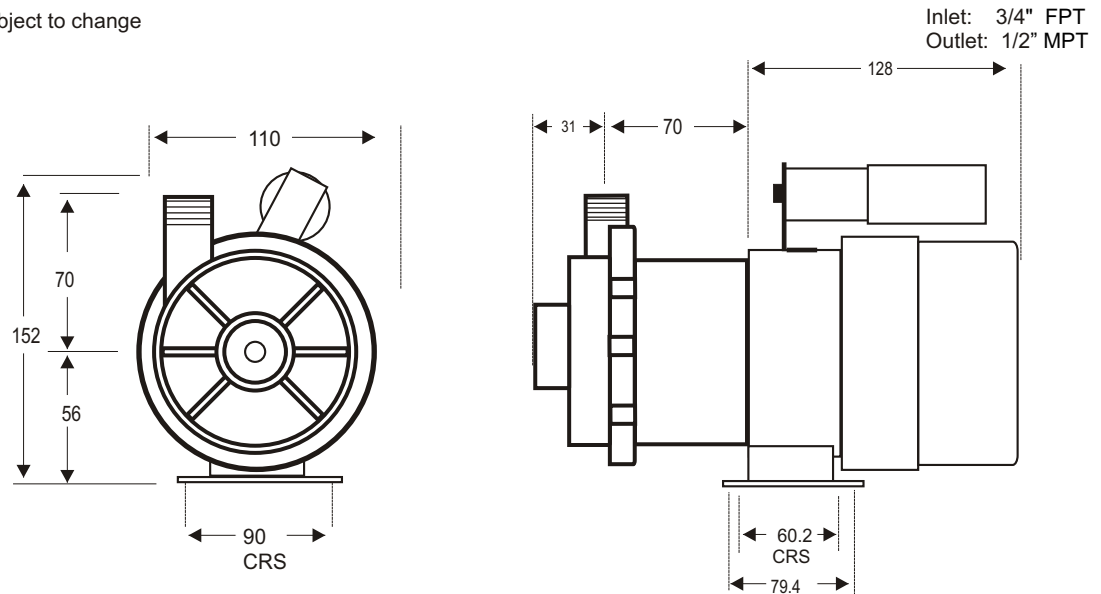


# AC-3P-MD

## DIMENSIONAL SCHEMATIC, PERFORMANCE AND PARTS LIST

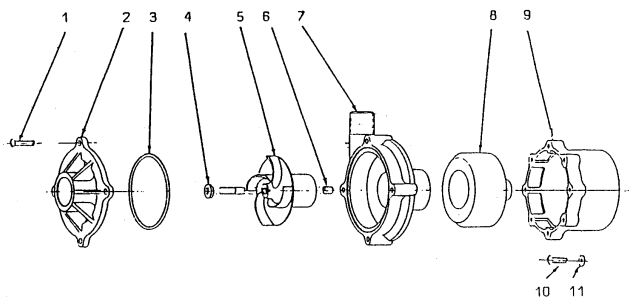
### DIMENSIONS mm

not to scale  
specifications are subject to change



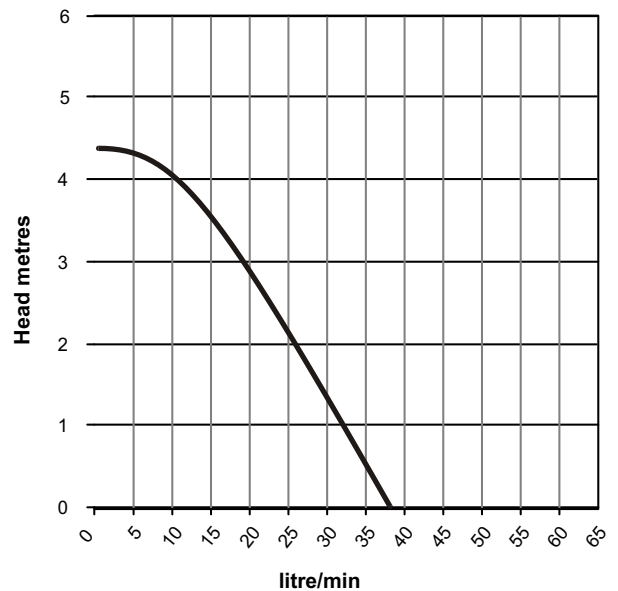
Details may change depending upon the motor specified

### PARTS LIST



ITEM	DESCRIPTION	NOS	CODE
1	HOUSING SCREWS	4	5090-910-50
2	PUMP COVER POLYPRO	1	0130-021-10
3	'O' RING VITON	1	0130-033-UK
4	THRUST WASHER CERAMIC	1	0130-028-UK
5	ENCAPSULATED IMP ASSY	1	0130-069-02
6	SPINDLE CERAMIC	1	0130-024-UK
7	PUMP HOUSING POLYPRO	1	0130-018-10
8	DRIVE MAGNET ASSY (9mm)	1	0750-254-00
9	MOTOR BRACKET	1	0001-030-UK
10	BRACKET FIXING SCREWS	4	0130-100-UK
11	BRACKET FIXING WASHERS	4	0135-200-UK
12	WET END ASSY ITEMS 1-7		0030-111-01
13	PUMP HEAD ASSY ITEMS 1-11		P030-111-012

### PERFORMANCE



Tests obtained with water 1.0 SG

— 50 hz 2900 rpm