

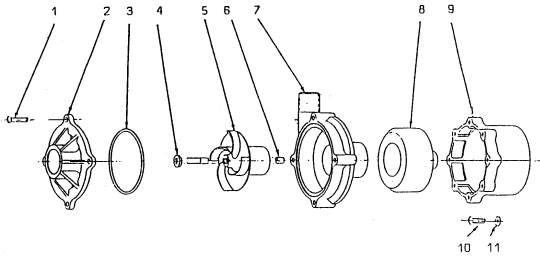


# AC-3CP-MD

01/01/2011

## DIMENSIONAL SCHEMATIC, PERFORMANCE AND PARTS

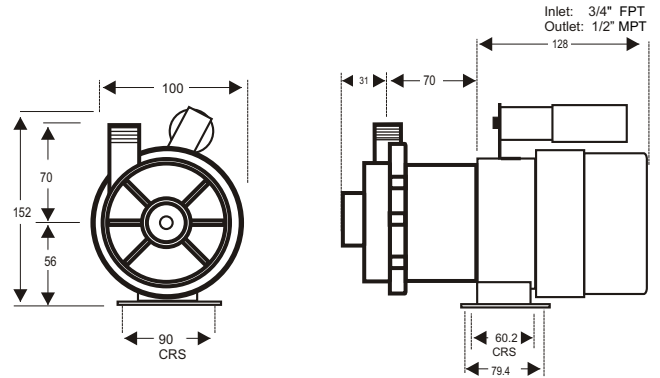
### PARTS LIST



ITEM	DESCRIPTION	NOS	CODE	PRICE
<b>AC-3CP-MD</b>				
1	HOUSING SCREW ST/ST	4	5090-910-50	£ 4.12
2	PUMP COVER POLYPRO	1	0130-021-10	£ 9.91
3	'O' RING NITRILE	1	0130-011-UK	£ 3.23
4	THRUST WASHER CERAMIC	1	0130-028-UK	£ 5.22
5	IMPELLER MAGNET ASSY	1	0130-020-01	£ 26.07
6	SPINDLE CERAMIC	1	0130-024-UK	£ 13.17
7	PUMP HOUSING POLYPRO	1	0130-018-10	£ 14.34
8	DRIVE MAGNET ASSY 5/16	1	0130-043-02	£ 47.52
9	MOTOR BRACKET	1	0001-030-UK	£ 30.37
10	BRACKET FIXING SCREWS	4	0130-100-UK	£ 1.48
11	BRACKET FIXING WASHERS	4	0135-200-UK	£ 1.48
WET END ASSY ITEMS 1-7			0003-111-02	£ 76.03
PUMP HEAD ASSY ITEMS 1-11			P003-111-020	£ 156.86

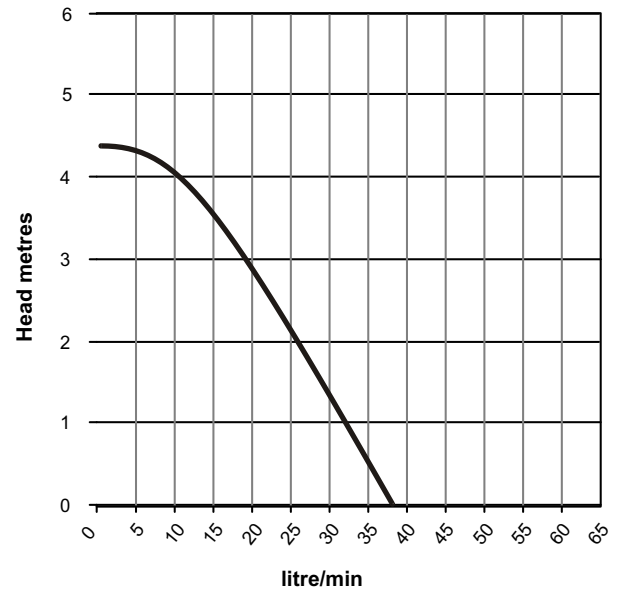
### DIMENSIONS mm

not to scale specifications are subject to change



Details may change depending upon the motor specified

### PERFORMANCE



Tests obtained with water 1.0 SG

— 50 hz 2900 rpm