



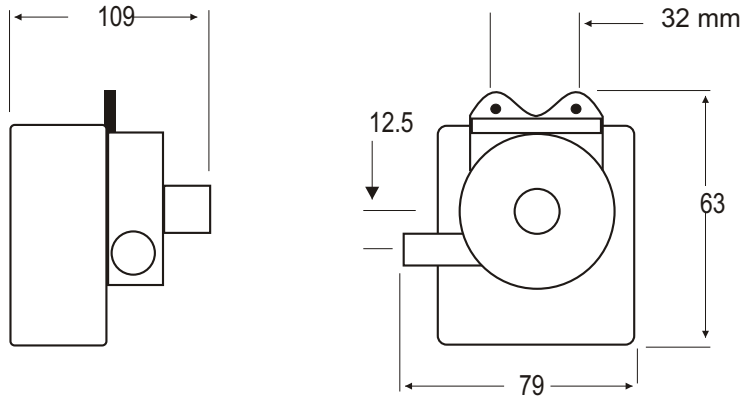
AC-1A-MD

DIMENSIONAL SCHEMATIC, PERFORMANCE AND PARTS LIST

DIMENSIONS mm

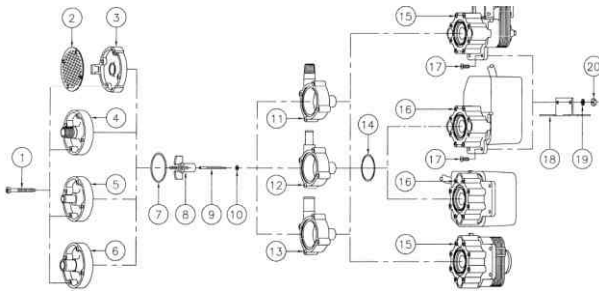
not to scale
specifications are subject to change

Inlet: 1/2" OD
1/4" OD
Outlet: 1/2" OD
1/4" OD



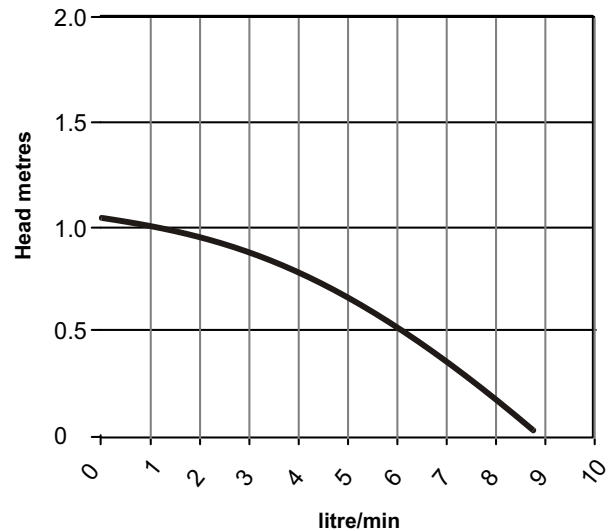
Details may change depending upon the motor specified

PARTS LIST



ITEM	DESCRIPTION	MATERIAL	QTY	PART #
1	Screw, Self Tapping	Stainless Steel	1	0115-0062-1000
2	Inlet Screen	Delrin	1	0115-0012-1000
3	Cover	Cyclac	1	0115-0016-1000
6	Cover (1/2 O.D. Inlet)	Polypropylene	1	0115-0060-1000
7	O Ring (Cover)	1/16" Dia x 1-5/16" ID x 1-7/16" OD	1	0115-0018-1000
8	Impeller Assembly	Nylon/Ceramic Mag.	1	0115-0008-0100
9	Shaft	316 Stainless	1	0115-0032-1000
10	Thrust Washer	Carbon/Teflon	1	0115-0033-1000
13	Rear Housing (1/2 O.D. Inlet)	Polypropylene	1	0115-0059-1000
14	O Ring (Bracket)	1/16" Dia x 1-3/16" ID x 1-5/16" OD	1	0115-0017-1000
15A	Air Cooled Assembly (115 Volt 60Hz)		1	0858-0009-0100
15B	Air Cooled Assembly (230 Volt 50/60Hz)		1	0858-0013-0100
16A	Motor/Bracket/Cord (115V/60Hz)		1	0858-0009-0100
16B	Motor/Bracket/Cord (230V/50/60Hz)		1	0858-0013-0100

PERFORMANCE



Tests obtained with water 1.0 SG
50 hz 2900 rpm